

# Sliding & Folding Hardware



## What's inside

- PANO Bi-fold Hardware
- Brio Weatherfold 4s
- Centor
- Henderson Securefold
- Vista Patioslide
- Pocket Door Kits
- Internal Sliding Door Hardware

**SASH + DOOR  
HARDWARE**



SDH are one of the only companies that sell Bi-Fold Door Systems from all 4 of the leading manufacturers.

BI-FOLD  
BRANDS  
WE SELL

**PAND**

**Brio**

centor®

**HENDERSON**

**BOTTOM ROLLING**

**TOP HUNG**

**TOP HUNG**

**TOP HUNG**



SIGN UP FOR A **TRADE LOGIN** ONLINE TO VIEW **TRADE PRICES** AND **ADDED BENEFITS**



[www.sdhardware.co.uk](http://www.sdhardware.co.uk)

 **REVIEWS.io**



**4.8 / 5.0**

We're rated excellent  
on **reviews.io**

## TRADE DISCOUNTS.

Don't forget you are receiving a **TRADE ONLY** discount on all products. You can send your customers to our website to choose products knowing they won't see your discounted prices. This is particularly helpful for window and door furniture and can earn you some extra income in marking up to our online retail prices.



*Featured range*

Vista Patioslide on page 11

# CONTENTS.

PANO Bi-fold Hardware	04
Brio Weatherfold 4s Hardware	05
Centor Bi-fold Hardware	06 - 07
Henderson Securefold Hardware	08 - 09
Bi-fold Order Form	10
Vista Patioslide	11
Internal Folding Dor Hardware	12
Internal Sliding Door Hardware	13 - 15



*Featured range*

Internal Sliding Hardware on page 13 - 15

Secure payments powered by **worldpay**

MOST MAJOR CREDIT CARDS ACCEPTED



**FREE UK CARRIAGE ON ORDERS OVER £150**  
(EXCLUDING SASH WEIGHTS)

CARRIAGE CHARGES MAY ALSO APPLY TO DIRECT DELIVERIES

SDH reserve the right to change the design and specification of any item herein without notice. All measurements are in millimetres unless otherwise stated. All prices are subject to VAT. E&OE.



Joinery by LJS Joinery

### Pano Bi-fold Door Hardware

The Pano Bi-fold door system is a bottom rolling system that has numerous benefits that'll enhance the final aesthetic of your Bi-fold doors whilst being simple, easy to install, and practical.

The main benefit of the Pano system is that the weight of the doors and frame are supported via the cill. This means that there's no requirement to fix in to the lintel to hold the weight of the doors, which can ultimately lead to sagging and the need for adjustment. This can be a common issue with top-hung Bi-fold door systems, so is certainly worth bearing in mind when deciding on which Bi-fold door system to use for your project.

Corrosion resistance is another major benefit of this product. Manufactured from Aluminium each component uses a nylon washer to avoid any possible cross contamination from the moving parts, meaning no two metal components come into contact. The Pano Bifold system has been designed to perform in extreme conditions where corrosion is common and aggressive, therefore it functions brilliantly in any environment.

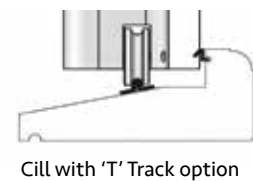
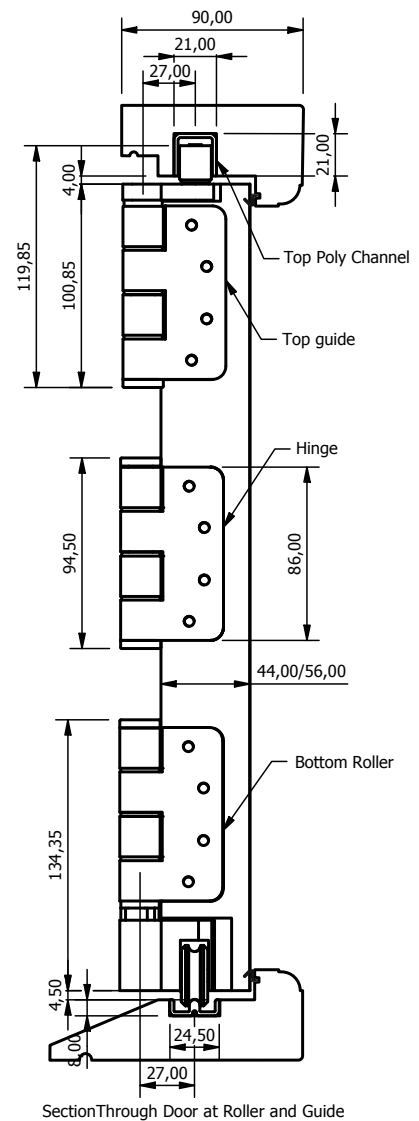
- Standard Head & Cill sections
- All Tracks rollers and guides inline and hidden from view
- 2 bottom track options
  - (i) 'E' track that is suitable for recessing the track flush with cill
  - (ii) 'T' Track that is suitable to be fixed directly on top of the cill and can even be put on the a bevelled cill
- All the weight of system is directed to floor via the bottom roller so no need for heavy duty fixings to be applied to head section carrying the weight of the doors
- Height adjustment on bottom roller
- Simple to manufacture and install
- 4 finishes: Silver, Black, Gold and White (special order)
- Fantastic corrosion resistance due to being manufactured out of aluminium with nylon washers, no two bits of metal contact each other
- Bottom roller that will be hidden (rebated) from a 44mm thick doors upwards

#### 3 DOOR KIT INCLUDING:

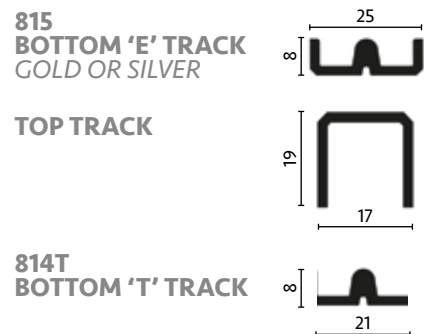
- BOTTOM ROLLER
- TOP GUIDE
- TOP POLY CHANNEL (1800mm)
- BOTTOM ALL 'T' TRACK (1800mm)
- 6 x INTERMEDIATE HINGES
- 1 x HINGE HANDLE
- 2 x FLUSH BOLTS

**3 DOOR KIT PRICE**  
from  
**£318.55**  
DELIVERED

#### SECTION DETAILS: NOT TO SCALE



#### TRACK DETAILS: NOT TO SCALE



FOR ORDER FORM PLEASE SEE PAGE 10





### Weatherfold 4s

Brio's Weatherfold 4s is recognised as the leading product in exterior folding door hardware. Brio Weatherfold 4s is a top-hung exterior folding system which can handle panels up to 100kg with precision and ease. Large openings of 3.3m high and 16m wide can be achieved with 8 equal size panels folding seamlessly in each direction with inward or outward opening functionality.

Matching hardware comes in four premium finishes: Stainless (SS), Polished Stainless (PS), PVD Brass (PB) and PVD Black (PR). Hinge sets are Non-Mortice as standard, Mortice Round Cornered is available for companies using CNC machines.

- Easy height adjustment
- 4 finishes
- Up to 1000mm flush bolts
- Max Panel Weight: 100kg
- Max Panel Width: 1000mm
- Max Panel Height: 3300mm
- Min Panel Thickness: 35-68mm
- Max Number of Panels: 8 each way



#### 3 DOOR KIT INCLUDING:

- 1 x 250-A-2.5m top track
- 1 x PS13 6M fir for top track
- 1 x 94PPA-2.5 polyprop & ali channel
- 1 x BWS1 pivot set
- 1 x BWS4 hanger set (chrome bearings)
- 1 x BW7 hinge handle set
- 1 x 456 locking flush bolt
- 1 x 456 non-locking flush bolt

**3 DOOR KIT PRICE**  
from  
**£478.68**  
**DELIVERED**

**Hybrid Cill available, please ask for details**

**POLISHED STAINLESS STEEL**



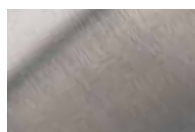
**PVD**



**BLACK**

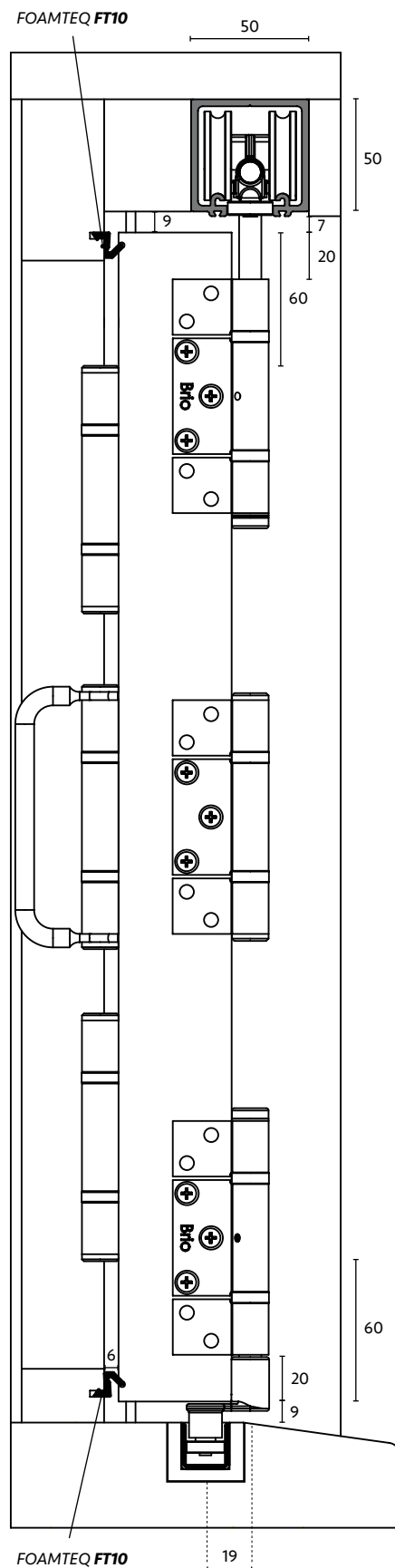


**SATIN STAINLESS STEEL**



**OUTWARD OPENING, STAINLESS STEEL FINISH ON MAX 2500mm**

#### TECHNICAL DETAILS



**We sell Weather strips by the metre please refer to our Draughtseals catalogue for profiles and prices FOR ORDER FORM PLEASE SEE PAGE 10**



### Centor E3 Bi-fold Door Hardware

Responding to the demands of architects and homeowners wishing to push the boundaries of Bi-fold innovation, Centor E3 hardware is suitable for a range of residential and commercial applications. Providing complete freedom in door design, our E3 hardware accommodates panels up to 1200mm wide by 3600mm high and 115kg, allowing for the extra weight of double and triple glazing.

- Top-hung Bi-fold system
- Inward or outward opening panels
- Double or triple glazed
- Use with timber or aluminium doors
- Exterior or interior use
- Cycle tested to the equivalent of opening and closing panels every day for 40 years
- Secure E3-based doors with Centor
- Drop bolts or Centor Twin point locks
- Backed by a 10-year warranty
- Dimensions are intended as a guide only
- Calculated weight checks should be performed to ensure doors built to maximum height and widths do not exceed maximum weight



#### 3 DOOR KIT INCLUDING:

- 1 x 3m Aluminium Top Track
- 1 x 2994 Bottom Poly Channel
- 1 x Pivot Set
- 1 x Hinge Handle Set/Offset
- 1 x Intermediate Hanger Set
- 1 x Locking Drop Bolt
- 1 x Non Locking Drop Bolt
- 1 x Track Seal
- 1 x Floor Channel Retainer

**3 DOOR KIT PRICE**  
from  
**£533.86**  
DELIVERED

**OUTWARD OPENING,  
STAINLESS STEEL FINISH  
2400mm wide x 2100mm high  
(not including weather seals)**

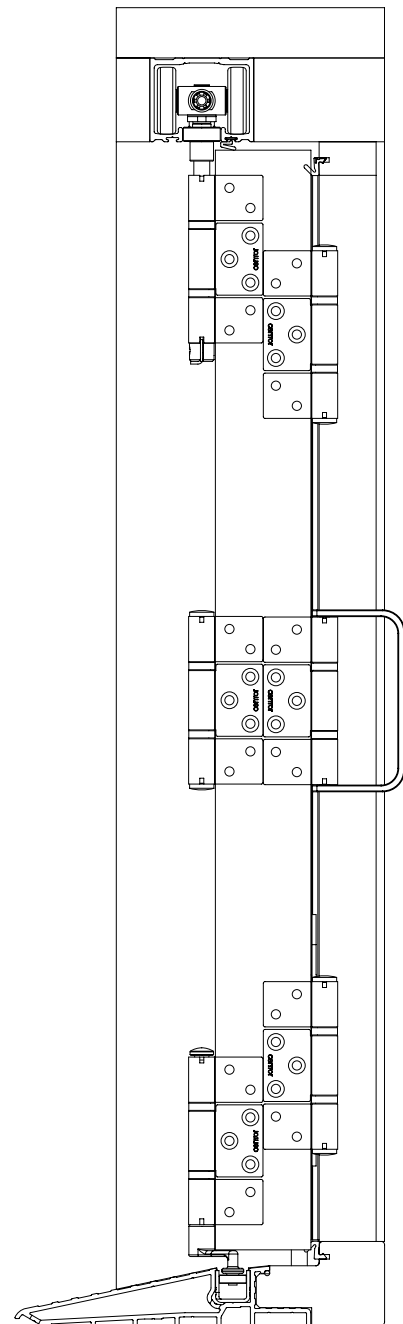
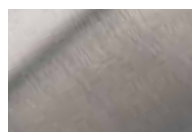
**Hybrid Cill available,  
please ask for details**

**POLISHED  
STAINLESS STEEL**

**PVD**

**BLACK**

**SATIN  
STAINLESS STEEL**



**HYBRID CILL SHOWN  
TIMBER CILL DETAILS AVAILABLE,  
PLEASE ASK FOR INFORMATION**

**We sell Weather strips by the metre please refer to our Draughtseals catalogue for profiles and prices  
FOR ORDER FORM PLEASE SEE PAGE 10**

**Centor E3 Components**

INTERMEDIATE HINGE SET



JAMB PIVOT SET



EVEN LEAF END SET



**Part Q Compliance Bi-fold Doors**



**PAS 24 : 2016**

Tested enhanced security performance requirements for doorsets and windows in the UK.



**BOTTOM ROLLING**

**F3 Floor Rolling System for Folding Doors**

F3 hardware system allows Bi-fold doors to be installed into any existing opening without the need for major structural changes to the structural beam. Perfect for use in residential renovations, our F3 hardware accommodates panels 1000mm wide by 2700mm high and 80kg.

- Bottom-rolling Bi-fold system
- Articulated carriers compensate for imperfect openings, ensuring smooth operation
- Guards on the carriers push grit away from the mechanism
- Inward or outward opening panels
- Suitable for double or triple glazing
- Exterior or interior use
- Externally accessible hardware cannot be compromised
- Extensively tested, including finite element analysis, cycle testing and corrosion testing

**PLEASE CONTACT SALES FOR FULL DETAILS.**

**Retractable Insect Screen and Shade**



Centor's award-winning retractable insect screens, sun shades and blackout blinds have solved the problem of screening folding doors, hinged patio doors, sliding glass doors and more.

A common misconception in the UK is that flying insects aren't a problem. However, if you speak to anyone with screens installed in their homes, they'll tell you how useful they actually are, whether for flies during the summer months, midges in evenings or moths at night.

**PLEASE CONTACT SALES FOR FULL DETAILS.**

**Eclipse E3 Drill Jig**

2 Stiles can be drilled at once then this jig can slide down the stile to the centre position and then the other end without moving the stiles

The main body is a Hard Engineered Plastic for anti scratching and long life and the stops and drill inserts are out of hardened tool steel to reduce wear.



**PKE3DJ**

**£251.49**  
ex VAT



**MAX WEIGHT**  
**100kg & 150kg**  
 (per panel)

HENDERSON

**Securefold**

The ultimate exterior Bi-fold door hardware system for doors weighing up to 100kg and 150kg.

Securefold offers the very best in exterior Bi-fold door hardware to help you securely open up an interior space to the outside world. The system has been designed for top-hung, exterior wooden or aluminium doors weighing up to 100kg and 150kg. The Bi-fold door system operates with effortless ease and combines all the aesthetic benefits of folding wooden doors with the additional advantages of uncompromising security and durability.



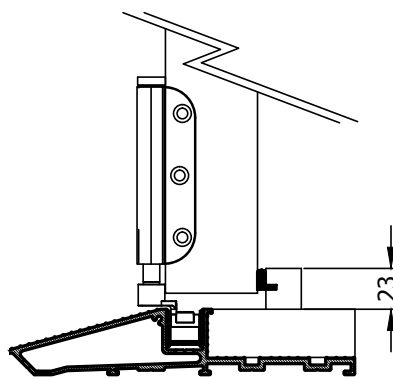
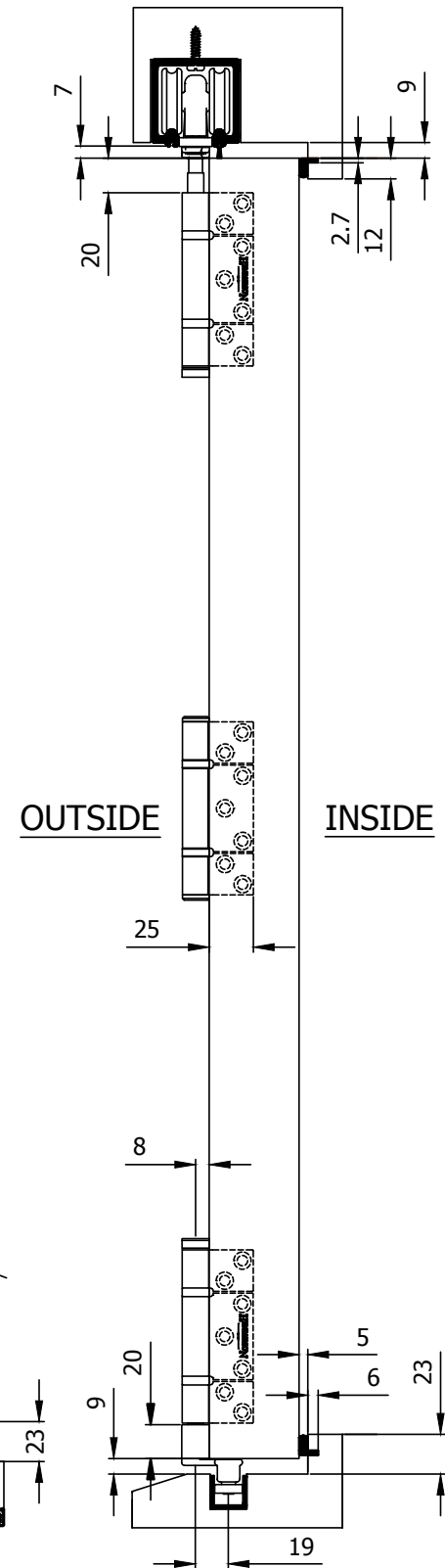
- Available in three different hinge options - mortice, mortice squared or non-mortice
- Manufactured from marine Grade 316 Stainless Steel making the system extremely corrosion resistant
- Caters for up to 6 doors folding to one side
- Available in Satin, Gold, Chrome and Black
- Securefold 100 features R-Loc - a clever ratchet system that enables installers to easily raise or lower a door
- Available with Twinbolt - a locking system which provides two points of locking using top and bottom throw rods
- PAS24 so can be used for Part Q applications

**3 DOOR KIT INCLUDING:**

250/3000	Aluminium Top Track - 3000mm
SFW1	Pivot set with non-mortice hinge
SF7	Offset Hinge Handle Set
SF4	Intermediate Hanger Set
94P/3000	Poly Guide Channel - 3000mm
94SC/3000	Aluminium Support Channel - 3000mm
SF190	Non-Locking 190mm Flushbolt
SF190L	Locking 190mm Flushbolt
HEN-BS10B	Brush Track Seal

**3 DOOR KIT PRICE**  
 from  
**£566.55**  
 DELIVERED

**3+0 NON-MORTICE HARDWARE**  
**TRACK 3000MM**  
**FINISHES - SATIN, CHROME, GOLD**



**OPTIONAL SF94T**  
**ALUMINIUM THRESHOLD**





### Securefold Drill Jig

Solely designed for use with the Securefold system to speed up construction of the door panels by guaranteeing that the hinge holes are drilled in the correct position. It's design and robust manufacture means it will stand up to the rigours of workshop life.



**HEN-S-JIG**

**£53.54**  
ex VAT

### Bi-Fold Magnetic Catch

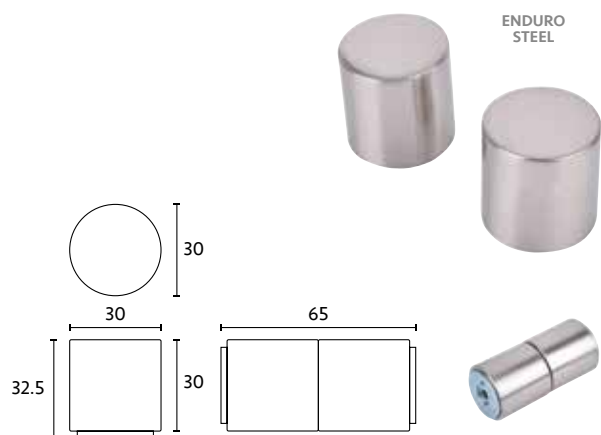
These magnetic catches are designed to hold back the sashes on a bi-fold door when they are open in the fold position. They keep the sashes stacked neatly to one side.

The catches are supplied as a pair and are packaged along with screws for two fixing methods.

Each catch is also supplied with an anti-rotation grub screw.

**Available in the following finishes:** White, Black, Polished Chrome, Satin Chrome, Anthracite Grey, Silver and Enduro Steel

- Two height options 65mm and (25mm on request)
- Supplied complete with fixings
- Discreet appearance – only 30mm diameter
- 10 year guarantee



65mm  
**MAG-65**

**£16.30**  
each



**CHOOSE BI-FOLD SYSTEM:**

SECUREFOLD TOP HUNG

Centor E3 TOP HUNG

INTERFOLD PSS or SSS

WEATHERFOLD 4s TOP HUNG

PANO BOTTOM ROLLING

**COMPANY NAME:** .....

**ADDRESS:** .....

**POSTCODE:** .....

**TELEPHONE** .....

**EMAIL:** .....

**WIDTH OF OPENING:** .....

**HEIGHT OF OPENING:** .....

**LEAF SIZES: HEIGHT** ..... **WIDTH** .....

**LEAF THICKNESS:** .....

**FINISH: BLACK**  **P.CHROME**  **GOLD**  **SILVER**

**INWARD OPENING**  **OUTWARD OPENING**

**MAGNETIC HOLD BACK CATCH**

**HYBRID CILL (CENTOR ONLY)**

**JAMB PIVOT**  or **SECURITY ALIGNER**  (E3 ONLY)

**CONFIGURATIONS**

**2 DOOR**

A. 

**3 DOOR**

A. 

B. 

**4 DOOR**

A. 

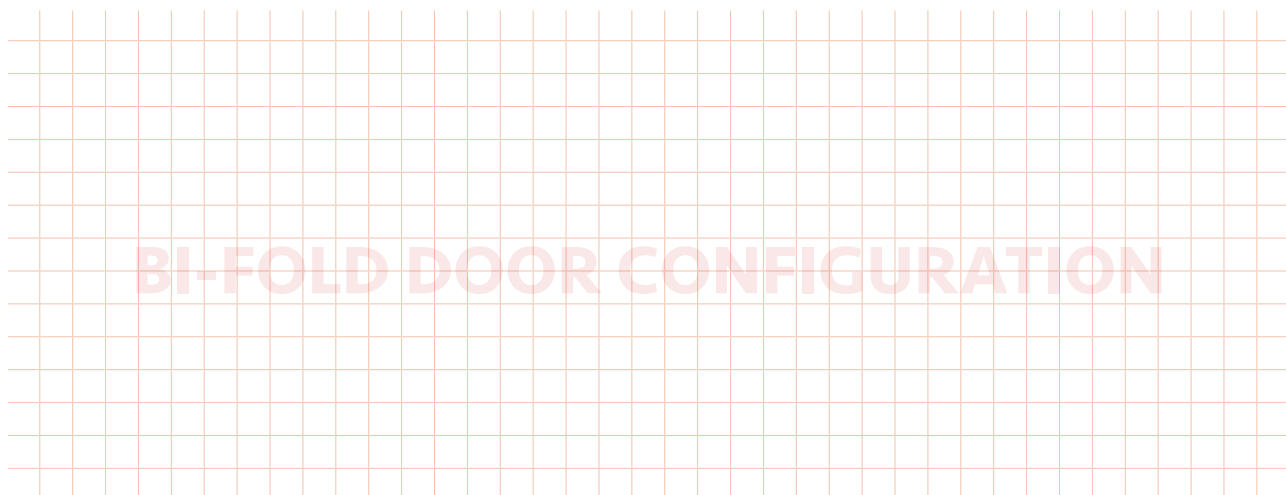
B. 

C. 

*If the configuration you require is not above, please draw out the leaf formation below.*

We have access to many internal and external Bi-Fold and straight sliding systems. Please give us a call or email with your requirements and we will be happy to source for you.

BI-FOLD DOOR CONFIGURATION

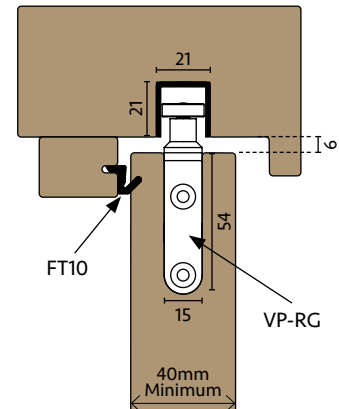
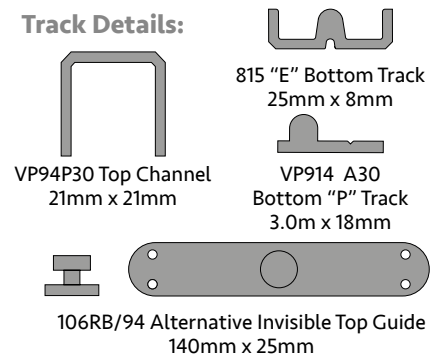




Joinery by  
**Stanbrook  
& Nicholson**

**200kg Max Weight\***  
**40mm Min Thickness\***  
**3000mm Max Width\***  
**3000mm Max Height\***  
\*Each Sash

**Track Details:**



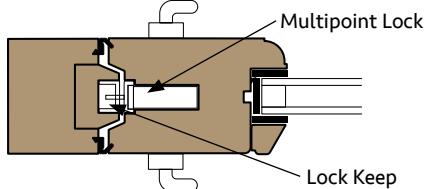
**Vista Patioslide**

This patio door hardware is simple effective and competitive. Using standard door styles and frames. Can take up to 200kg sashes in multiple configurations. Guides and Roller manufactured in Stainless Steel.

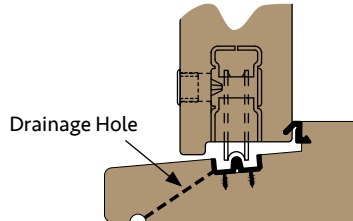
**KIT PRICE FROM**  
**£298.50**  
**INC DELIVERY**

**PLEASE CONTACT OUR SALES TEAM FOR FURTHER INFORMATION OR A DETAILED QUOTE**

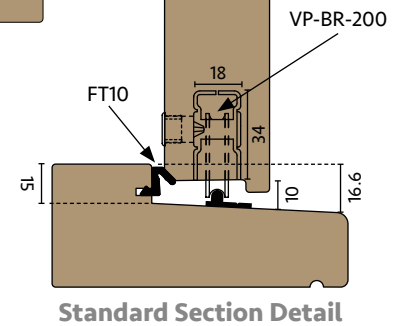
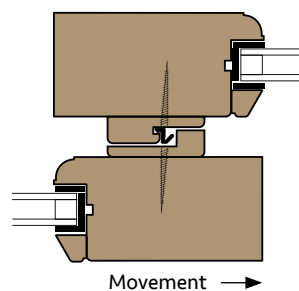
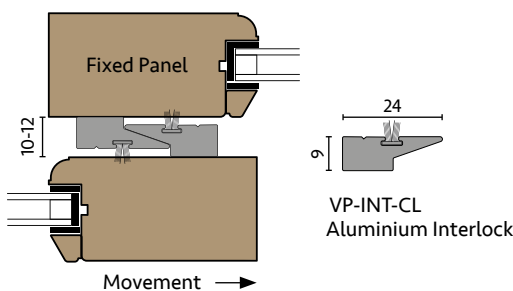
**Locking Jamb Details:**



**Alternative Recessed Track Detail**



**Interlock Details:**



**KIT INCLUDES:**

- VP914A A30: 1 x Bottom 'P' Track 3.0 (Silver)
- VP94P-30: 1 x Top Channel 3.0 (PPA)
- VP-RG: 2 x Rattle Proof Cast Stainless Steel Top Guide
- VP-BR-200: 2 x adjustable 2 wheel Stainless Steel rollers 200kg
- VP-INT-CL: 1 x Pair 3 Metre Aluminium Interlock
- PAT6H: 1 x 6 Point Stainless Steel Patio Door Lock
- PAT6K: 1 x Patio Door Keep
- DC40/40: 1 x Euro Cylinder 40/40
- VPDHPSC/BC/PG: Patio Door Handle

**OPTIONAL EXTRAS:**

- 106RB194: Alternative Invisible Top Guide
- 815 'E' Bottom Track (Available in Silver)
- VPDS - Door Stops (Black or White)

**Handle Colour Options:**



White    Black    Satin Chrome    Smokey Chrome    Polished Chrome    PVD Gold





## Double Top

Sliding wardrobe door kit for bypassing doors weighing up to 45kg

Sliding wardrobes are a great alternative to traditional hinged doors to make the most out of valuable floor space in the bedroom whilst also maintaining a stylish and elegant interior.

- Caters for wooden doors weighing up to 45kg
- Ideal for bypassing sliding wardrobe doors
- Available in four kits for a variety of track lengths
- Fittings kit available for additional doors
- Easy to install - installation video available
- Optional accessories include a clip on fascia and a wide range of handles and flush pulls



**HEN-W12**  
1200mm Track

**£43.55**  
ex VAT

**HEN-W18**  
1800mm Track

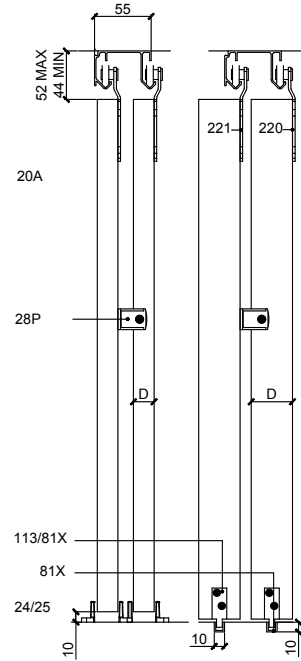
**£53.42**  
ex VAT

FULL DATA SHEET AVAILABLE, PLEASE ASK FOR DETAILS

### COMPONENTS LIST:

- Aluminium Anti-Rise Soffit Fixing Track (x 1)
- Outer Offset Hangers (x 2)
- Inner Offset Hangers (x 2)
- Rubber Buffered Stop (x 1)
- Nylon Guide (x 1)

**HENDERSON**



## Husky 100 (Steel Track)

Sliding door kit for wooden and metal doors weighing up to 100kg

Our Husky sliding door kit is ideal for sliding wardrobe doors and sliding room dividers in residential and commercial properties. Husky Sliding 50 caters for doors up to 50kg, whilst Husky Sliding 100 supports slightly heavier doors up to 100kg.

- Available with a choice of galvanised steel, anodised aluminium or mill finish track, complemented with nylon rollers to ensure a smooth, quiet operation
- Track can be soffit or faced fixed to allow flexibility of installation
- Fittings kit available for when more than one door is required (ask for details)
- Simultaneous Action Kit available for bi-parting doors (ask for details)
- Also available with integrated soft stop



**HEN-H100-18**  
1800mm Track

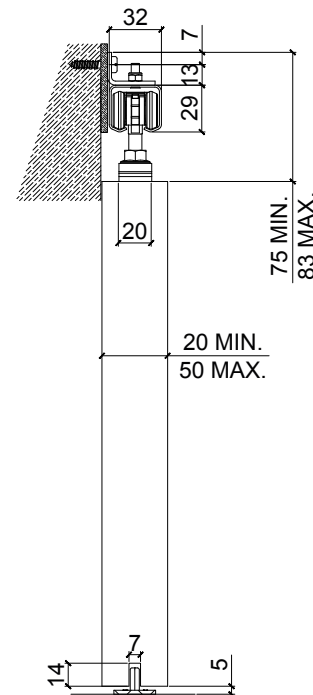
**£82.85**  
ex VAT

FULL DATA SHEET AVAILABLE, PLEASE ASK FOR DETAILS

### COMPONENTS LIST:

- Track (x1)
- Face Fixed Brackets (x5)
- Nylon Bodied Hangers (x2)
- Nylon Guide (x1)
- Clip Stop (x1)
- Track Stop (x1)

**HENDERSON**



## Pocket Door for single and bi-parting doors

Unique pocket door system that works with cavity walls for doors weighing up to 60kg

Our pocket door kit offers an innovative sliding door solution whereby the door slides into a cavity wall. Suitable for all rooms in the home, our pocket door kit offers amazing space saving benefits where interior space is limited such as bedrooms, bathrooms, ensuites, kitchens and walk in wardrobes.

- Offers amazing space saving benefits for rooms where interior space is limited
- Kit comes complete with satin flush pull set, timber frame and pre-assembled aluminium track and header mechanism
- For double door specifications, two kits can be purchased
- Available as standard or with dual soft close
- A Simultaneous Action Kit is available as an optional extra for bi-parting doors
- Easy and rapid installation

**HEN-PDK3**  
1981 x 762mm  
Panel

**£200.04**  
ex VAT

**HEN-PDK4**  
1981 x 838mm  
Panel

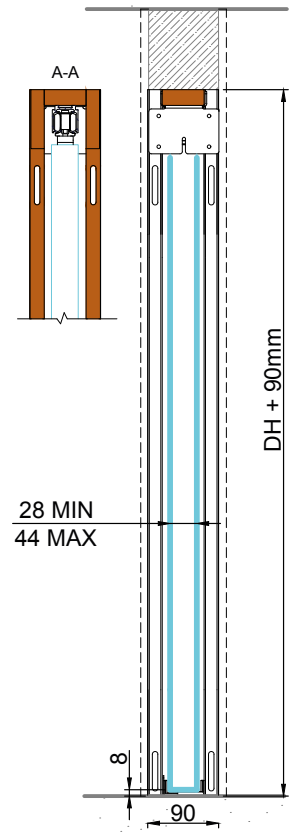
**£215.22**  
ex VAT



FULL DATA SHEET AVAILABLE, PLEASE ASK FOR DETAILS

### COMPONENTS LIST:

- Aluminium Track (x1)
- Hangers (x2)
- Galvanised Steel Wrapped Softwood Studs (x4)
- Galvanised Steel Stud Spacing Brackets (x2)
- Galvanised Steel Stud Support Brackets (x2)
- Softwood Header Assembly (with pre-fitted track) (x1)
- Clip Stop with Adjustable Retention (x2)
- Rubber Buffer (x1)
- Flush Pulls (x2)
- Guide (x1)



## Rustic 100

Unique sliding barn door hardware with beautifully crafted hangers for doors weighing up to 100kg

Rustic 100 sliding barn door hardware is ideal for barn conversions, period properties or simply for a unique feature in the home. Suitable for internal doors weighing up to 100kg, the system creates a traditional look for sliding wooden or metal doors with the exposed steel straps fastening down the front of the door.

- For wooden and metal doors weighing up to 100kg
- Designed with a flat back track and exposed steel hangers for a rustic finish
- Available in 2000mm or 3000mm track lengths
- Two finishes available - matt black and stainless steel
- Available as standard, single soft stop or double soft stop
- Kit comes complete with 2 oval flush pulls
- Fittings kit available for double door specifications

**Black**  
**HEN-R100-200**  
2000mm Rail

**£142.50**  
ex VAT

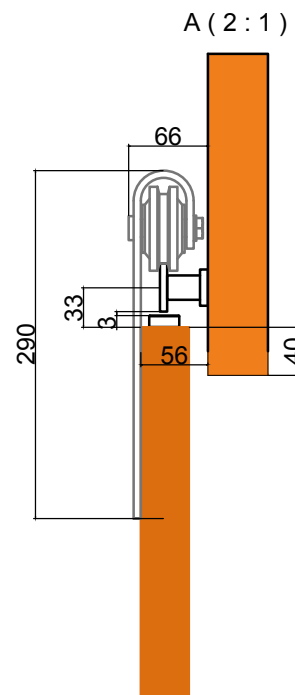
**Stainless Steel**  
**HEN-R100-200SS**  
2000mm Rail

**£180.83**  
ex VAT

### COMPONENTS LIST:

- Hangers (x2)
- Door Stops (x2)
- Floor Guide (x1)
- Flat Track (x1)
- Track Wall Spacers x 5 for 2000mm
- Anti-Jump Cam (x2)
- Oval Flush Pulls (x2)

**Option Extra:**  
R80SOFT - Doors up to 80kg retro fit



FULL DATA SHEET AVAILABLE, PLEASE ASK FOR DETAILS



### Softclose

Softclose 80 is an ingenious device that will slow down a sliding door weighing up to 80kg and gently close it over the last 110mm of travel.

- Max door weight - 80kg

**0204004**

**£26.16**  
ex VAT



### Pocket Door Touch Latch

Pocket doors can finally be set up to sit 100% into the wall without the need for edge fix handles or finger pulls. This device simply fits on the back of the door. When you open the door the last 20-30mm activates the catch and lets the door sit flush with the wall. When you wish to close the door a simple press on the door edge will then release the door into the opening. It's as simple as that!! Can be used with all our pocket doors and in conjunction with our softclose unit.

**02040068**

**£43.09**  
ex VAT

### Round Sliding Door Handle Set with Door Edge Pull

- Ideal for use with Pocket Door or soft close systems
- Contains x 2 flush pulls (29mm outer diameter) and x 1 door edge pull (52mm h x 29mm w outer measurements)
- Polished or Satin Chrome & Black



**385EDGE**

**£27.05**  
ex VAT

### Brass Pocket Door Edge Pull

- Length: 100mm
- Width: 19mm
- Polished Brass, Polished Chrome, Antique Brass, Satin Chrome, Satin Nickel, Matt Bronze, Satin Brass or Matt Black



**C1165**

**£17.58**  
ex VAT

### Brio Flush Bolts

- Available in Polished Gold, Polished Chrome, Stainless Steel & Matt Black
- 190, 450, 600 or 1000mm Locking or Non-Locking
- 190mm shown



**WEA456**

from  
**£40.22**  
Non-locking SSS

### Flush Bolt

- Stainless Steel
- Non-Locking
- 110x24mm
- 9mm depth



**HEN-FB110S**

**£33.54**  
ex VAT

### Brass Flush Pull

- For use with Pocket Doors
- Suits door thickness 35-52mm
- Projection: 13mm
- Plate Diameter: 57mm
- Plate Thickness: 2mm
- Polished Brass, Polished Chrome, Antique Brass, Satin Chrome, Satin Nickel, Matt Bronze, Satin Brass or Matt Black



**RD2322**

**£31.16**  
per pair

**OTHER ACCESSORIES AVAILABLE ONLINE OR PLEASE ASK FOR DETAILS**

A LEADING  
SUPPLIER OF  
WINDOW & DOOR  
HARDWARE TO THE  
JOINERY INDUSTRY

ORDER BY **PHONE**, **EMAIL** or **WEB**



**01752 651330**



**sales@sdhardware.co.uk**



**www.sdhardware.co.uk**

**SD Hardware Ltd** | Unit 7 Forge Lane, Enterprise Park, Saltash, Cornwall PL12 6LX  
**Phone:** 01752 651330 **Fax:** 01752 253823 **Email:** sales@sdhardware.co.uk

