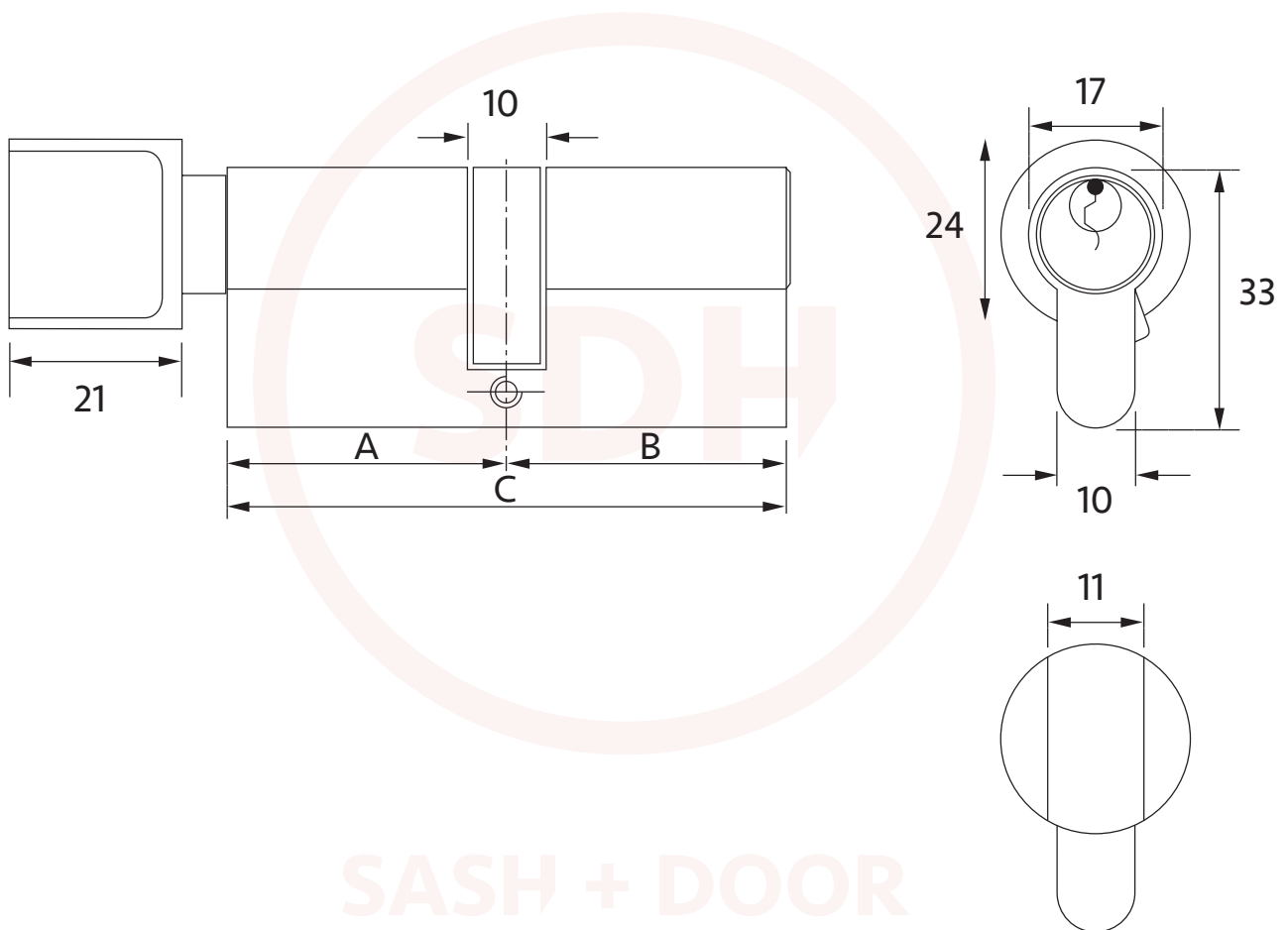


# 10 Pin Euro Cylinder Thumbturn



SASH + DOOR  
HARDWARE

To determine size of cylinder, measure 'A' then 'B'  
Example A = 40mm, B = 45mm order 40/45 cylinder

**(For Thumbturn Cylinders the first number is the size on the turn side)**