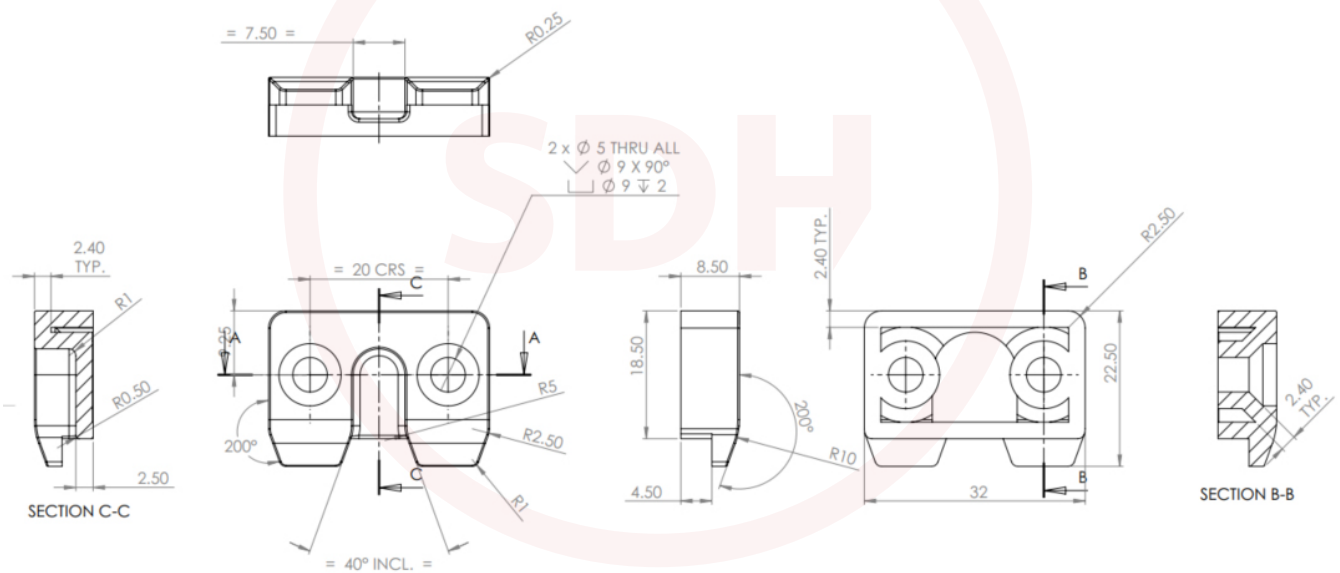


ERA Anti Lift Block



SASH + DOOR
HARDWARE