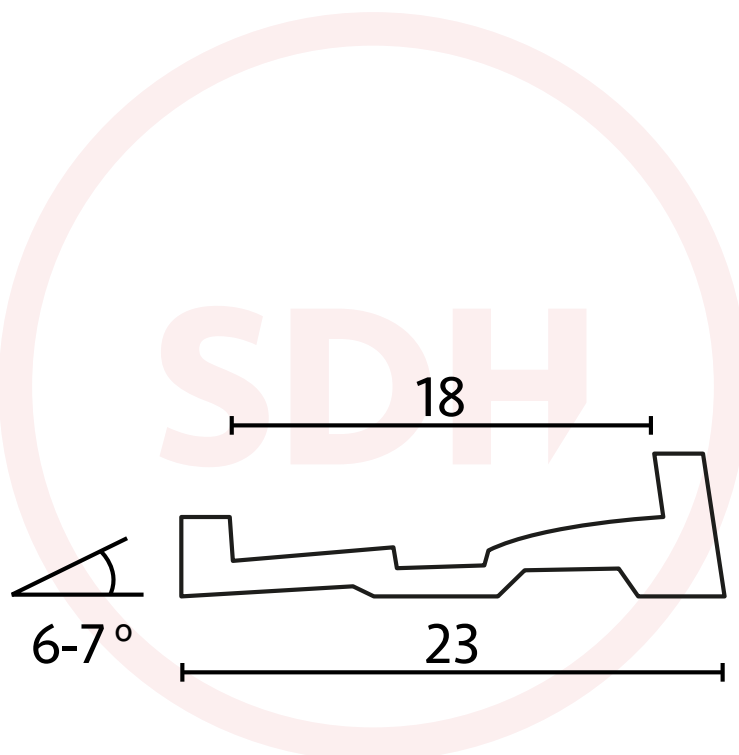


Hinge Packer

- Designed for bevelled cill of 7-9 degrees to square friction hinge.



SASH + DOOR
HARDWARE