

# SIM100

Fitting Instructions

HENDERSON

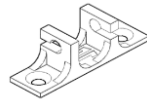
## PRODUCT SPECIFICATION

Kit Short Code	Door Thickness Range	Max Door Width	Min Door Weight	Max Door Weight
SIM100	25 - 50mm	1250mm	25kg	120kg

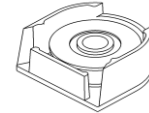
## KIT COMPONENTS



Cable (x1)



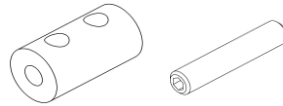
Cable Securing Bracket (x2)



Pulley Wheel (x2)



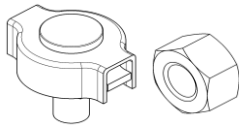
Thimble Insert (x1)



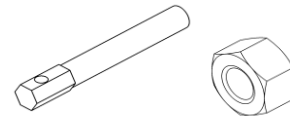
Cable Collar & Grub Screw(x2)



Spring (x1)



Cable Clamp & Nut (x1)

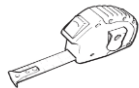


Adjuster Bolt & Nut (x1)

## TOOLS REQUIRED



Philips Screwdriver



Tape Measure



7mm Spanner



8mm Spanner



Drill and 2mm Drill Bit

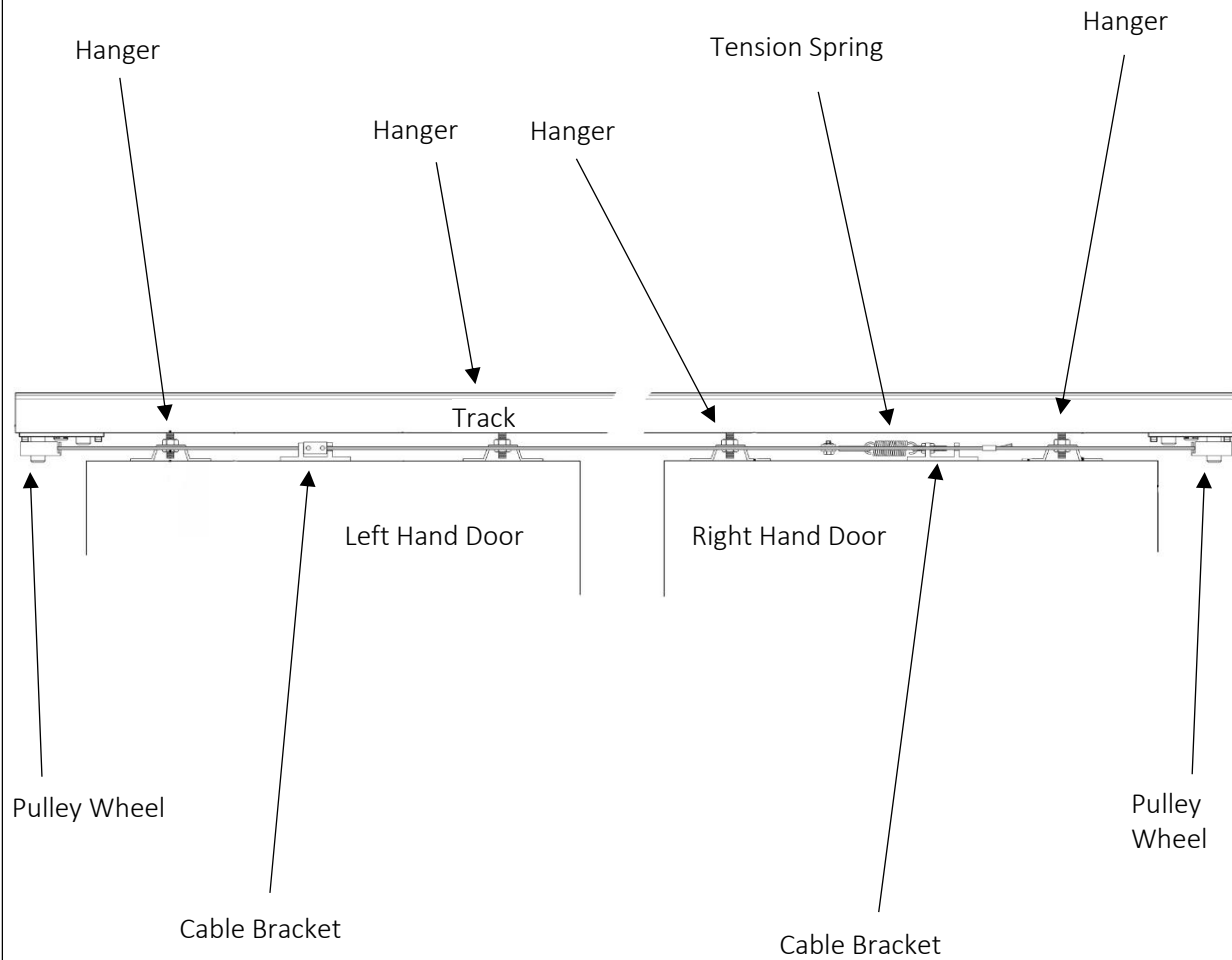


1.5 and 5mm Allen Keys

## SYSTEM OVERVIEW

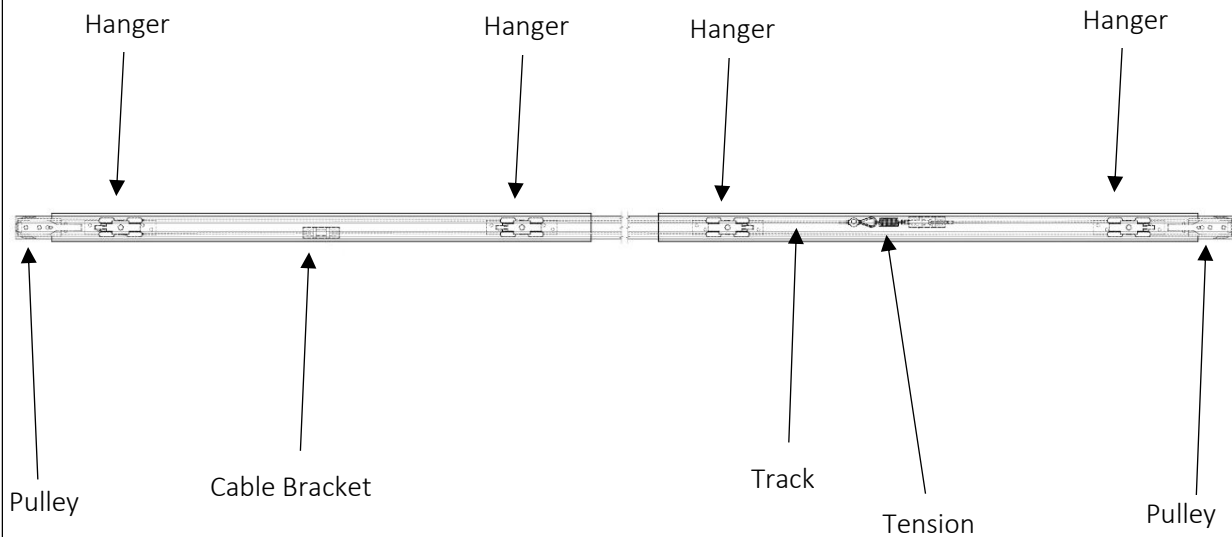
### Elevated View

(for illustrative purposes Husky components are shown in the below diagram)



### Overhead View

(for illustrative purposes Husky components are shown in the below diagram)

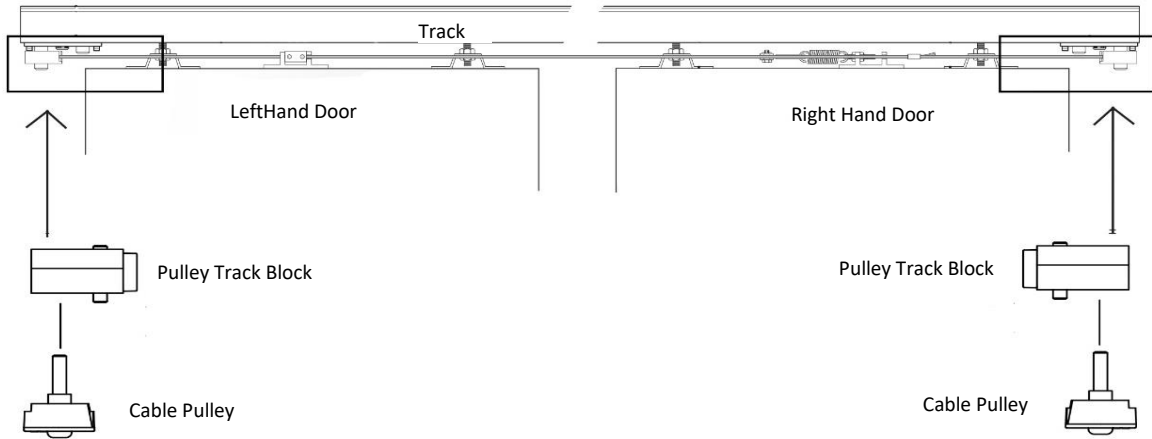


## STEP BY STEP INSTRUCTIONS

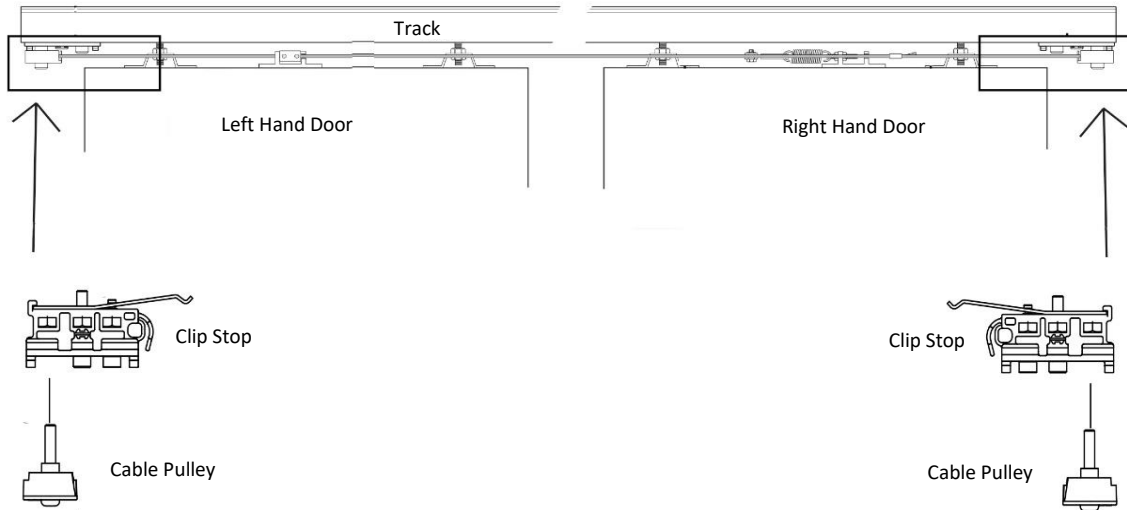
**Important Note:** Please install sliding door system in accordance with separate fitting instructions before moving to the steps below.

**STEP 1:** Remove cap head screw and replace with set screw and simultaneous wheel.

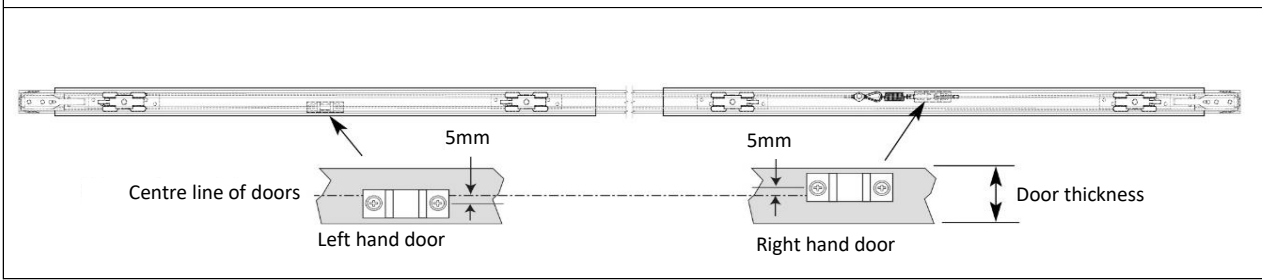
a) When installing with Soltaire or Pocket Door Pro



b) When installing with Husky Sliding or Pocket Door

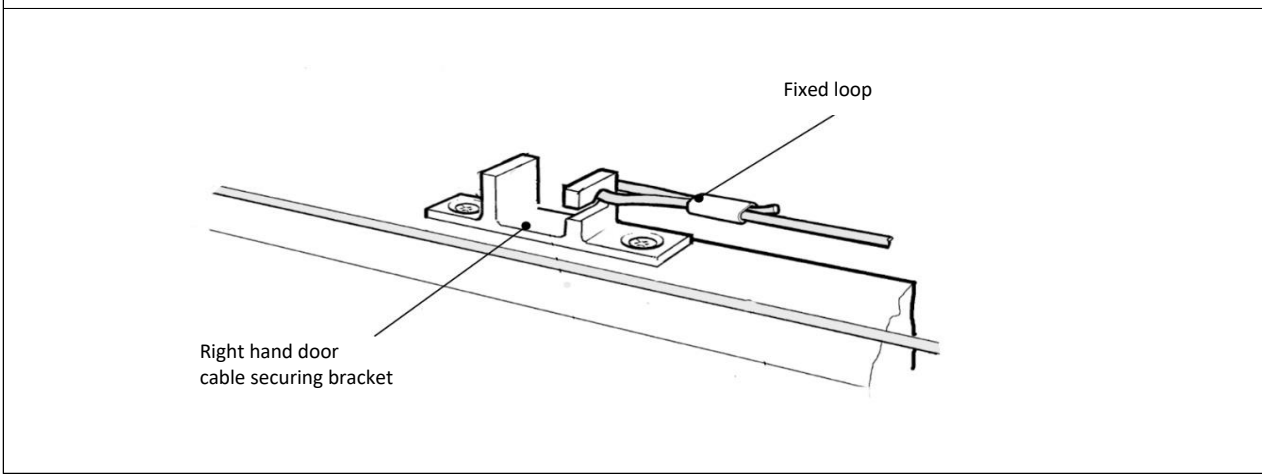


**STEP 2:** Remove the doors. Fit the left and right hand door brackets to the top of both doors.

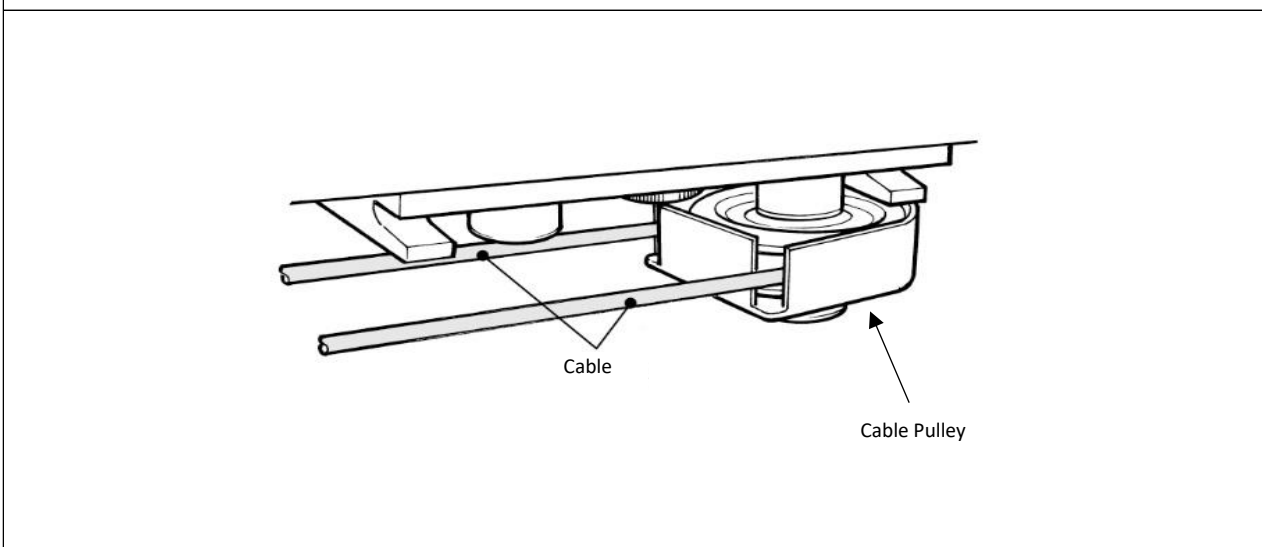


**STEP 3:** Rehang the doors.

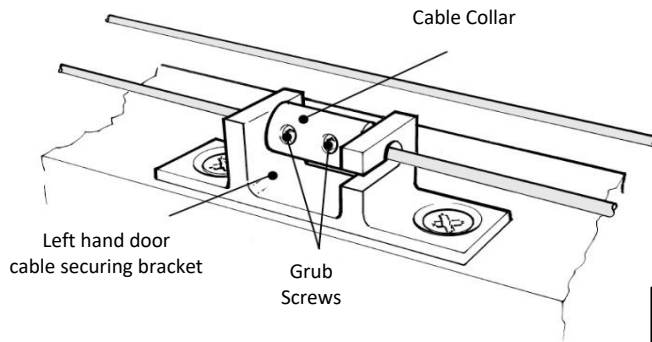
**STEP 4:** Hook the fixed loop end of the cable to the right hand door bracket.



**STEP 5:** Feed the cable through the right hand pulley wheel.

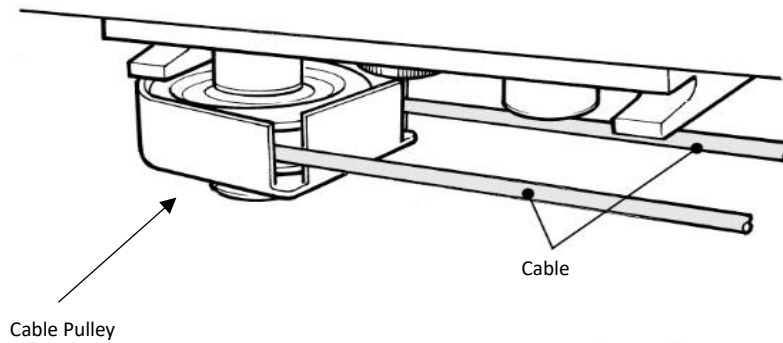


**STEP 6:** Place the cable collar into the left hand door bracket and thread the cable through the collar.

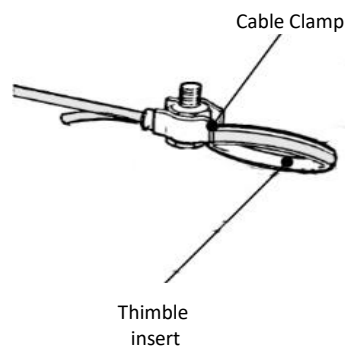


**NOTE:** Do not tighten the grub screws at this stage

**STEP 7:** Feed the cable through the left hand pulley wheel

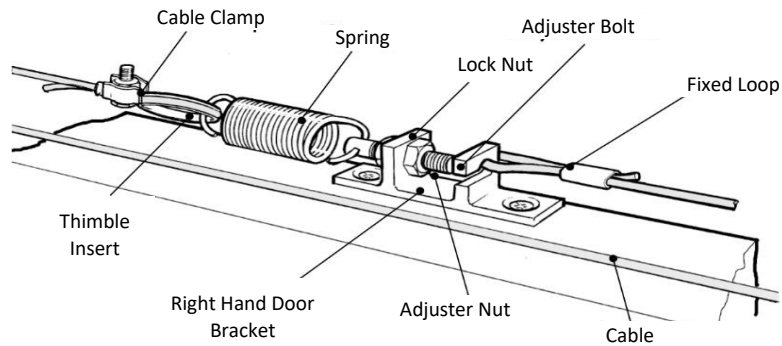


**STEP 8:** Whilst holding the cable (with a small amount of tension) thread the cable clamp onto the cable. Next, form a loop and insert the thimble into the loop. Feed the end of the cable back through the cable clamp to hold the shape of the loop.



**STEP 9:** Attach the cable to the door following the below steps.

- i) Fit the adjuster bolt on to the right hand door bracket complete with the two lock nuts, then hook the spring on to the adjuster bolt and hook the cable loop on to the other end of the spring.
- ii) Pull the excess cable through the cable clamp until the spring starts to pull back, then tighten the cable clamp nut to secure the cable loop. Cut off any excess cable with the cable cutters.
- iii) Adjust the adjuster nut to tension the cable so there is no sag in the cable and lock off the lock nut.



**STEP 10:** Close the doors and tighten the grub screws in the cable collar to secure the doors in place. Test the operation of the system to ensure it is working correctly

P C Henderson Ltd, Durham Road, Bowburn, Co. Durham, DH6 5NG, UK

**UK Sales**

t: +44 (0) 191 377 7345

e: sales@pchenderson.com

w: www.pchenderson.com

**Export Sales**

t: +44 (0) 191 377 7346

e: international@pchenderson.com

w: export.pchenderson.com

370262

01/04/2021

Issue 5