

COMPACT 120 LOW HEADROOM KIT

HENDERSON

DATA SHEET



The Compact 120 Low Headroom Kit reduces the clearance between the track and top of the door to 2mm - making the hardware hardly visible. With ease of installation and adjustment as a priority, the system caters for doors weighing up to 120kg, with as low as 30mm door thickness and can be vertically adjusted to maximise door height.

Ideal for creating wardrobe doors and room dividers with one or more wooden and wood framed door(s).



Apron Housing

Clip Stop Apron Slide

Soft Close Apron Slide

Compact 120 Low Headroom Kit Includes:

- Apron Housing (x2)
- Clip Stop Apron Slide (x2)
- Soft Close Apron Slide (x2)
- Screw Pack

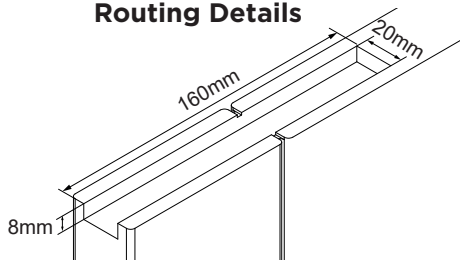
You will also need:

- Flush pulls and/ or handles
- Husky 120 Pro Kit or Soltaire 120 Kit

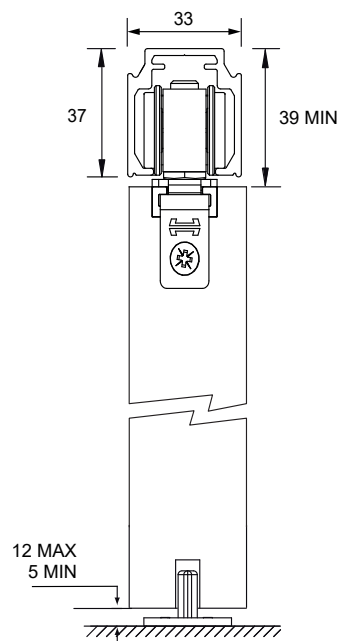
Your kit can be enhanced with:

- Aluminium Guide Channel
- Roller Guides
- Soft Close (1x 284HPW required with Husky 120 Pro Kit)

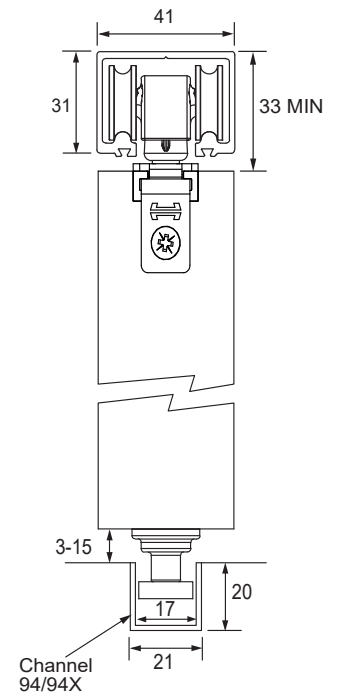
Routing Details



Husky 120 Pro Track Height



Soltaire 120 Track Height



Kit and Door Specification

Kit Short Code	Max. Door Width	kg
CP120	1500mm	< 120kg

Note: One door per Compact 120 Kit. For applications that require more than one door, additional kits will need to be specified.

P C HENDERSON LTD
Durham Road, Bowburn,
Co. Durham,
DH6 5NG

UK SALES
t: +44 (0) 191 377 7345
e: sales@pchenderson.com
w: www.pchenderson.com

REV 1
Oct-23