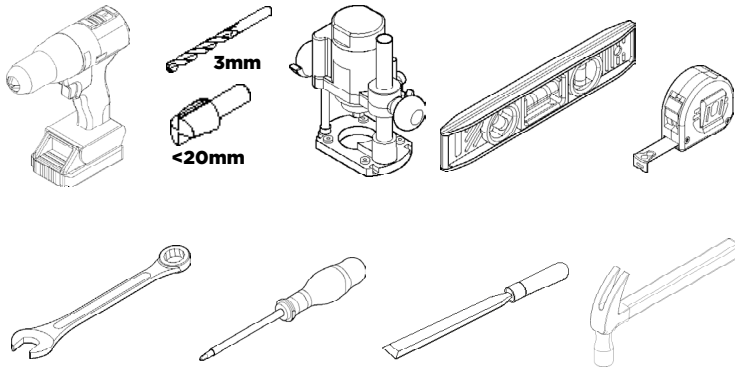


COMPACT 120 LOW HEADROOM KIT

HENDERSON

FITTING INSTRUCTIONS

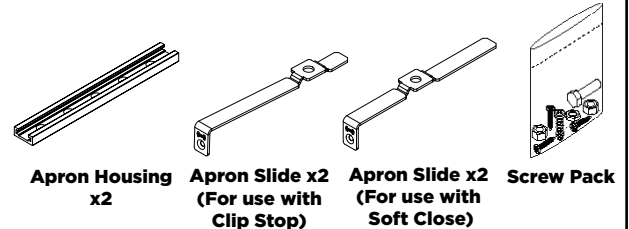
TOOLS REQUIRED



KIT AND DOOR SPECIFICATION

Kit Short Code	kg
CP120	120kg

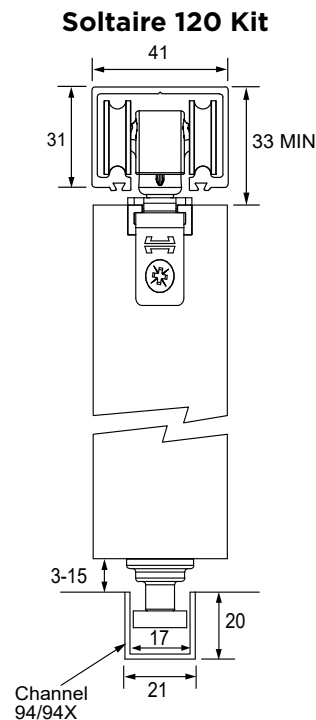
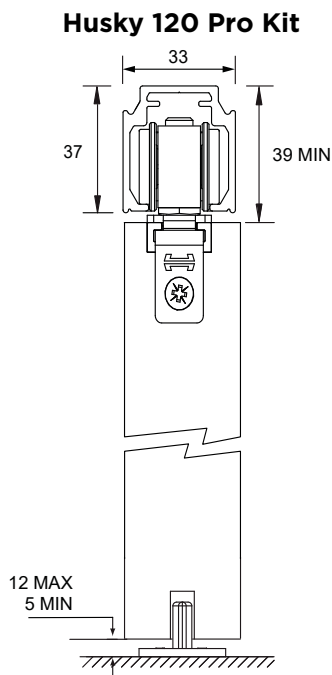
KIT CONTENTS



NOTE: APRON HOUSING REPLACES APRON PLATE INSTALLATION STEPS.
(COMPATIBLE WITH HUSKY 120 PRO AND SOLTAIRE 120 SLIDING DOOR HARDWARE)

1

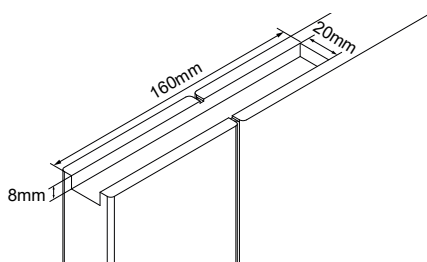
SET TRACK HEIGHT AS PER BELOW.
FOLLOW BASE KIT INSTRUCTIONS FOR TRACK FITTING.



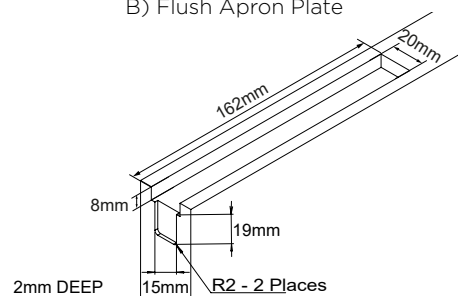
2

ROUTE APRON PLATES TO THE TOP OF DOOR AT BOTH ENDS AS PER YOUR INSTALLATION PREFERENCE.

A) Wrapped Apron Plate

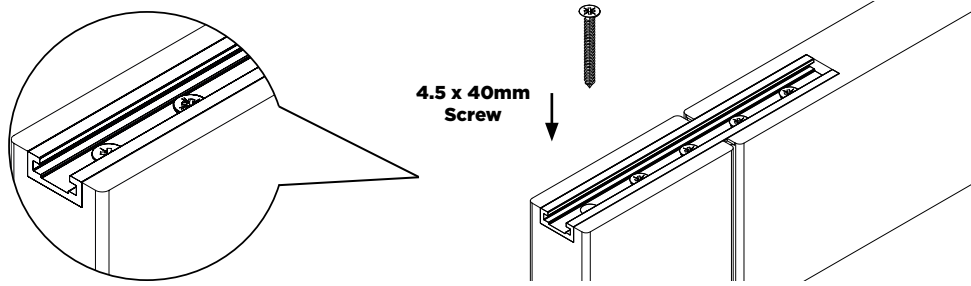


B) Flush Apron Plate



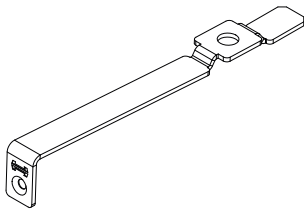
3

FIX APRON HOUSING TO DOOR WITH SCREWS PROVIDED.

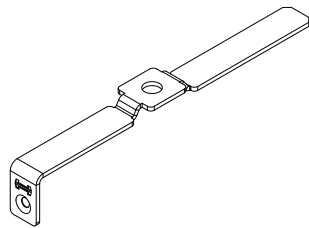


4

IDENTIFY WHICH SLIDE IS REQUIRED.



For use with Clip Stop



For use with Soft Close
(Min. door width

5

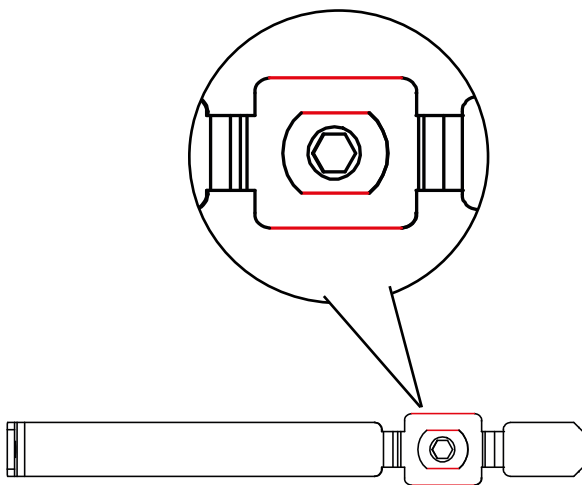
ASSEMBLE HANGERS TO THE SLIDE USING BOLTS AND NUTS PROVIDED.



Please Note: for the purpose of visualisation, the apron slide for use with a clip stop is shown.

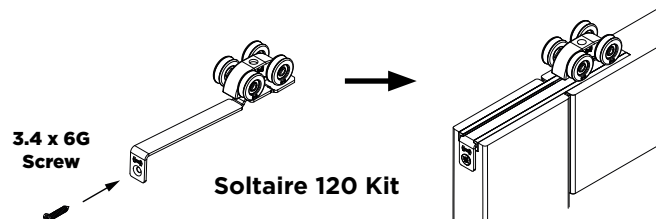
6

ENSURE BOLT HEAD FLATS ARE PARALLEL TO THE SLIDE HORIZONTALS AS SHOWN BELOW.



7

FIX APRON SLIDES TO DOOR BY SLIDING INTO APRON HOUSING. SECURE WITH SCREWS PROVIDED, ONCE IN POSITION.



Please Note: for the purpose of visualisation, the apron slide for use with a clip stop is shown.

P C HENDERSON LTD

Durham Road, Bowburn, Durham, DH6 5NG
t: +44 (0) 191 377 7345

UK SALES

e: sales@pchenderson.com
w: www.pchenderson.com

IRELAND SALES

t: +353 (0)1 643 6816
e: sales@pchenderson.ie
w: www.pchenderson.com

INTERNATIONAL SALES

t: +44 (0) 191 377 7346
e: international@pchenderson.com
w: export.pchenderson.com

370883

REV 02
Sep-24