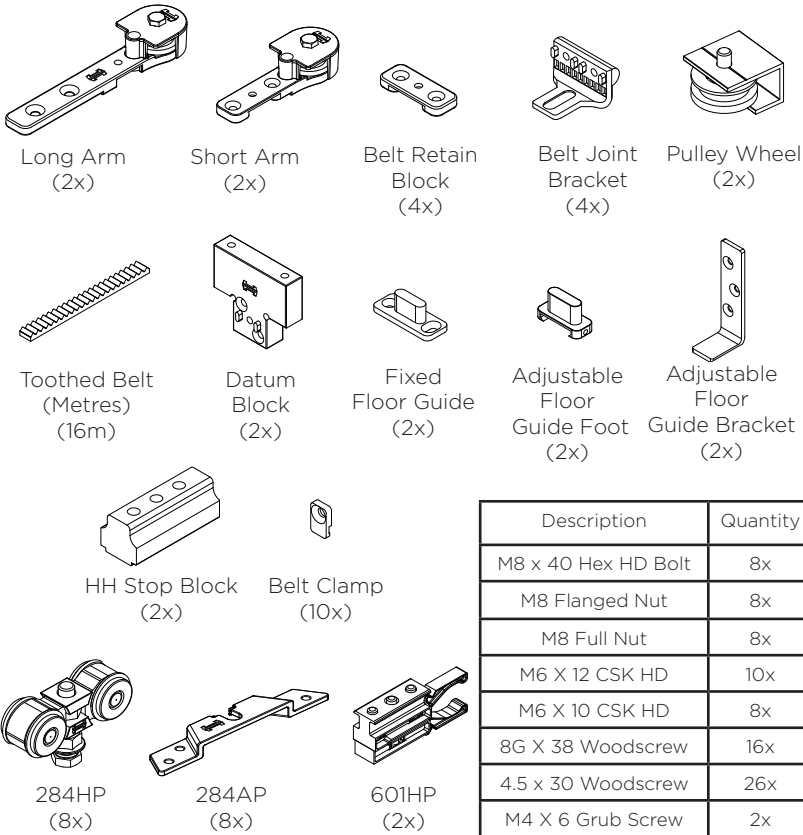


HUSKY 120 PRO 4 DOOR TELESCOPIC

HENDERSON

FITTING INSTRUCTIONS

KIT CONTENTS

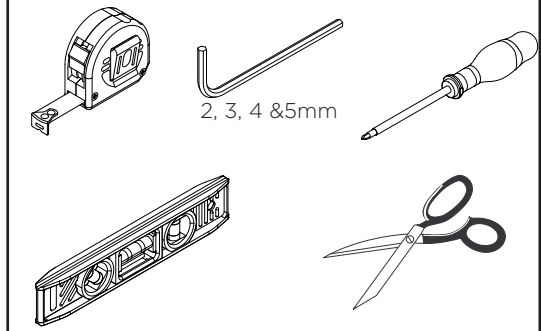


Description	Quantity
M8 x 40 Hex HD Bolt	8x
M8 Flanged Nut	8x
M8 Full Nut	8x
M6 X 12 CSK HD	10x
M6 X 10 CSK HD	8x
8G X 38 Woodscrew	16x
4.5 x 30 Woodscrew	26x
M4 X 6 Grub Screw	2x

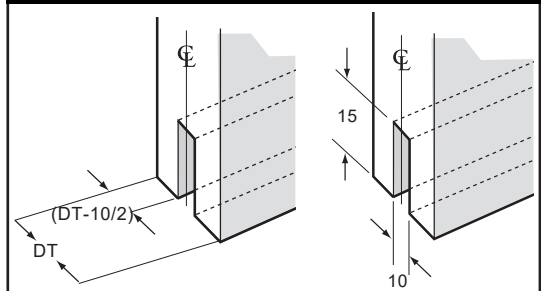
KIT AND DOOR SPECIFICATION

Kit Short Code	120kg
TELHP120/4	120kg

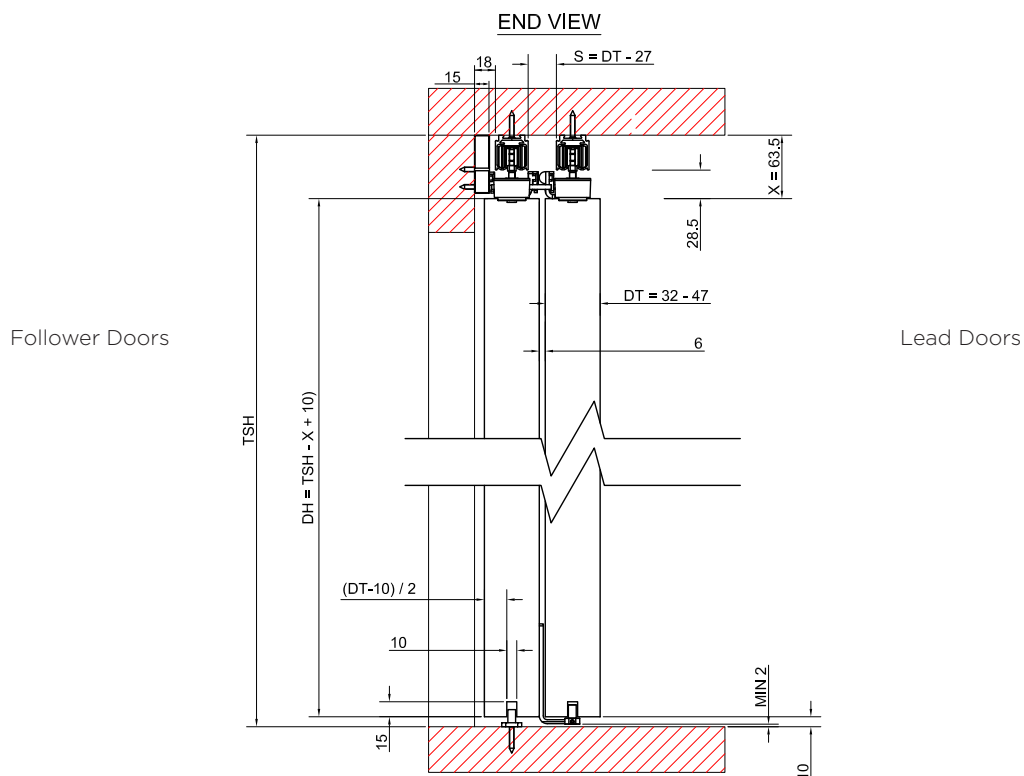
TOOLS REQUIRED



FLOOR GUIDE ROUTING DETAIL



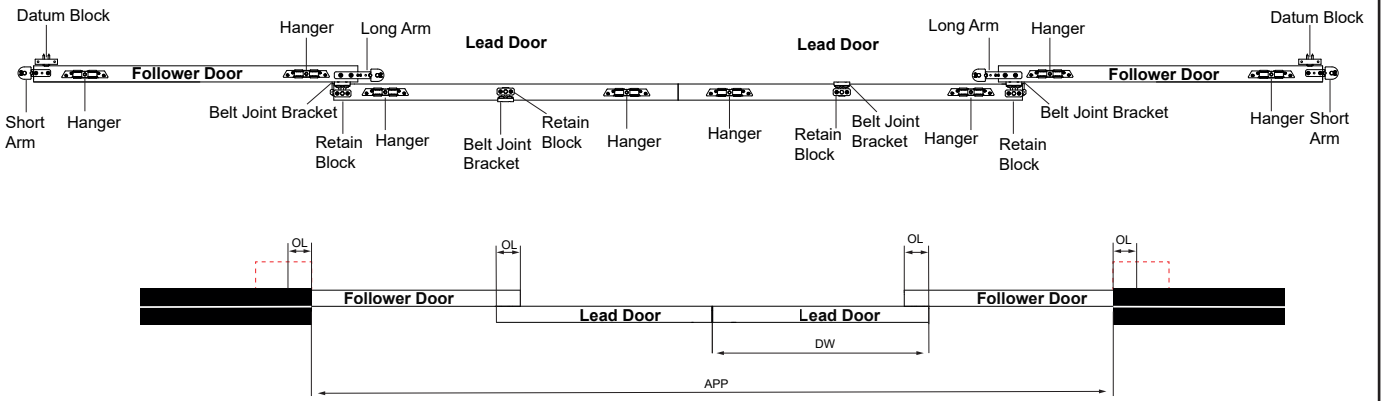
SYSTEM OVERVIEW AND TRACK INSTALLATION



KEY:

DT = DOOR THICKNESS DH = DOOR HEIGHT X = PCH RECOMMENDED TOP CLEARANCE (63.5MM) TSH = TRACK SET HEIGHT S = GAP REQUIRED BETWEEN TRACKS

4 DOOR OVERVIEW

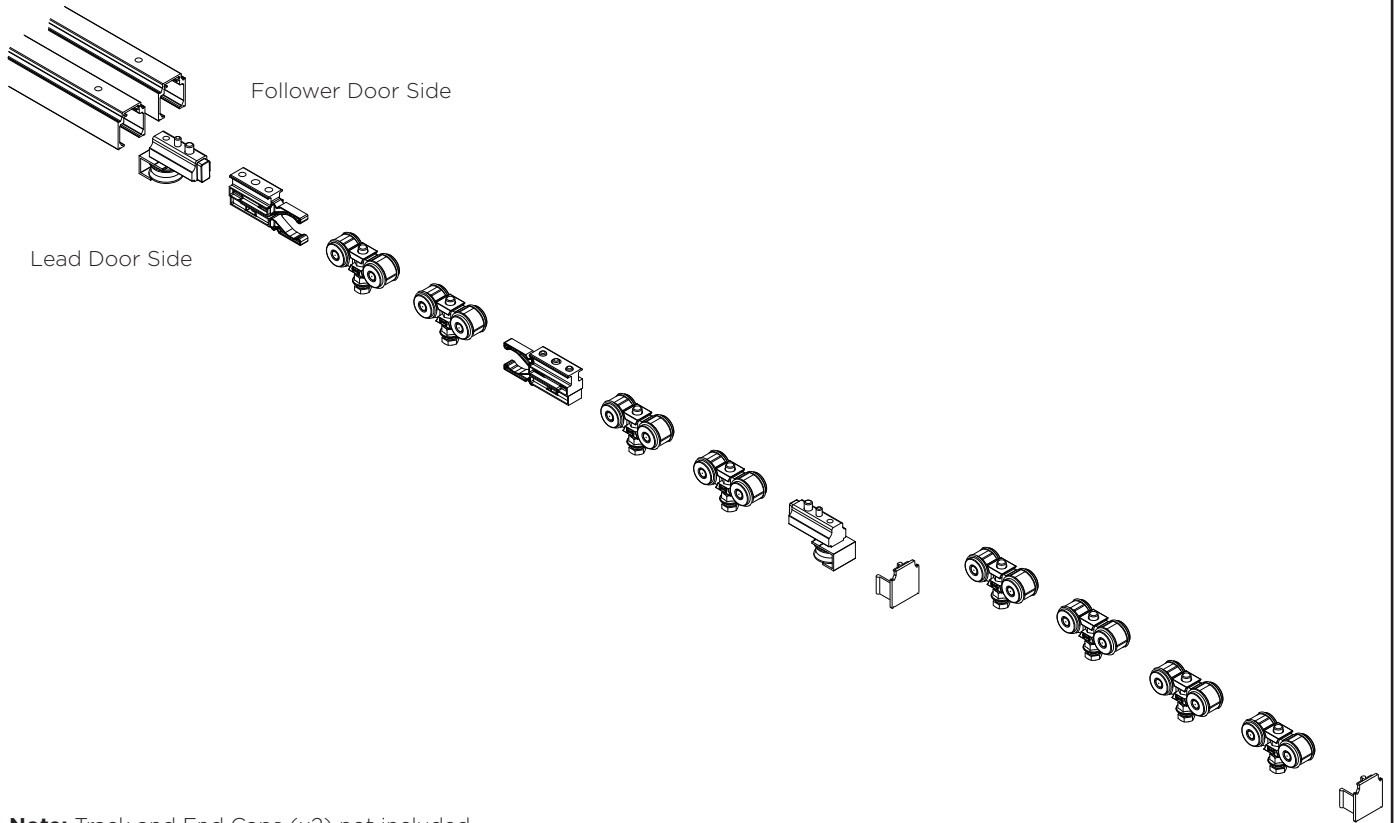


$$DW = \frac{(4 \times OL) + APP}{4}$$

PCH Recommend OL = 70mm

Key:
 DW = Door Width
 OL = Overlap of Doors
 App = Maximum Clear Opening Width

4 DOOR TRACK COMPONENTS



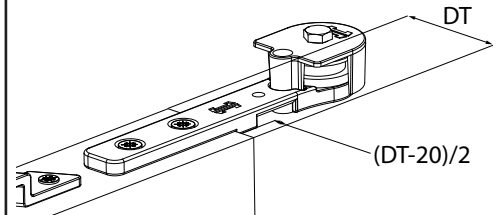
Note: Track and End Caps (x2) not included

1 FIT APRON PLATES ON ALL DOORS.



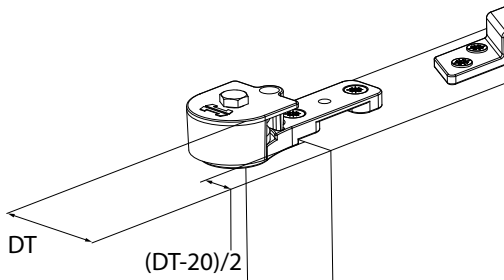
Note: Use 8G x 38 Wood Screws

2 ATTACH LONG ARM ON FOLLOWER DOORS.



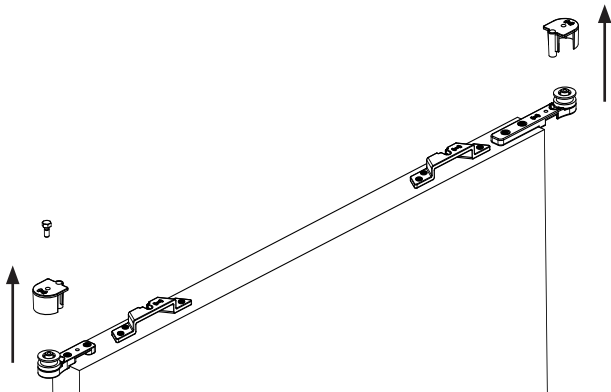
Note: Use 4.5 x 30 Wood Screws

3 ATTACH SHORT ARM ON FOLLOWER DOORS.

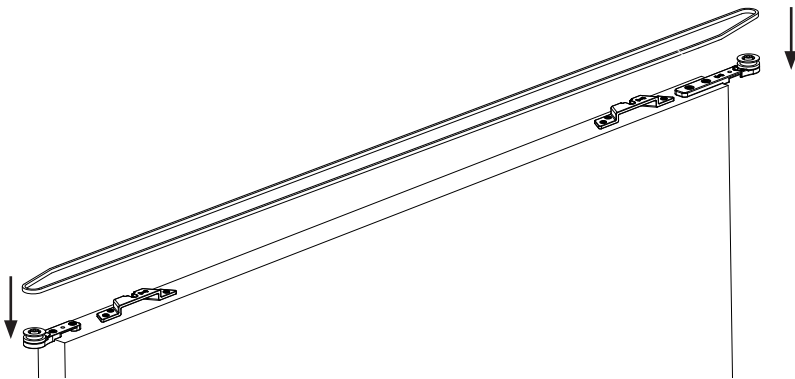


Note: Use 4.5 x 30 Wood Screws

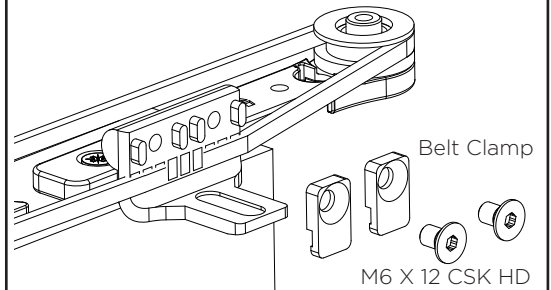
4 REMOVE BEARING CAPS ON FOLLOWER DOORS.



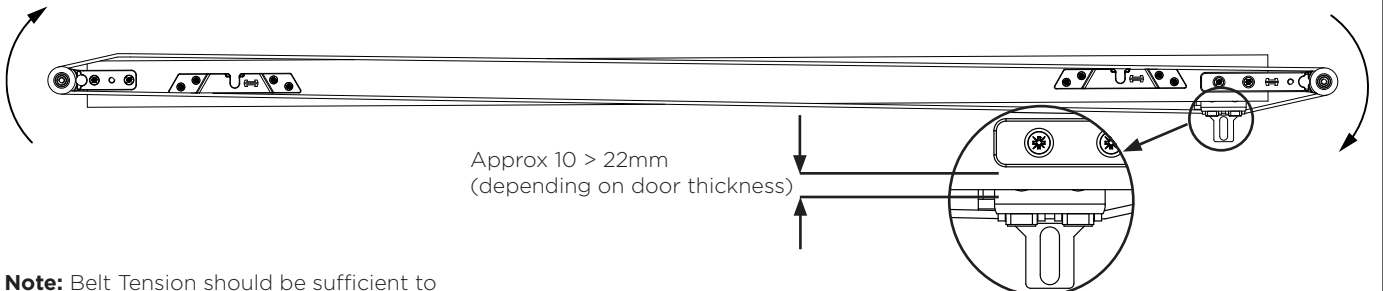
5 LOOP BELT AROUND BEARING WHEELS. CUT BELT TO LENGTH ON FOLLOWER DOORS.



6 ATTACH BOTH ENDS TO BELT JOINT BRACKET ON FOLLOWER DOORS.



7 CLAMP BRACKET SHOULD BE FREE TO TRAVERSE BETWEEN BEARINGS ON FOLLOWER DOORS.



Note: Belt Tension should be sufficient to allow connection between doors

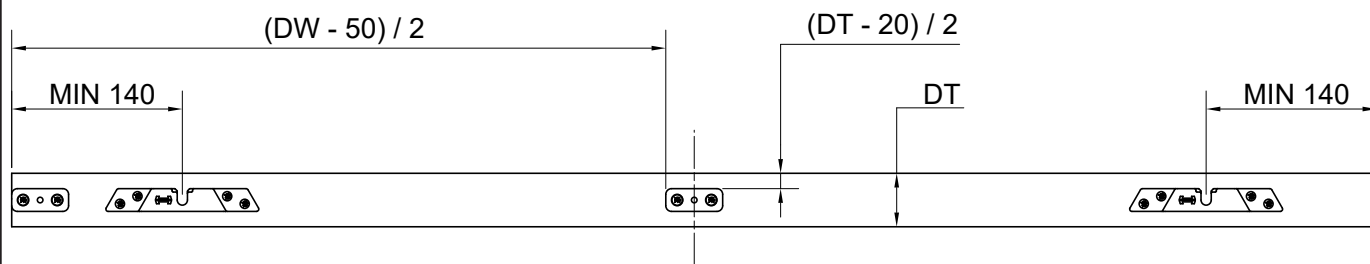
8

RE-ATTACH BEARING CAPS.



9

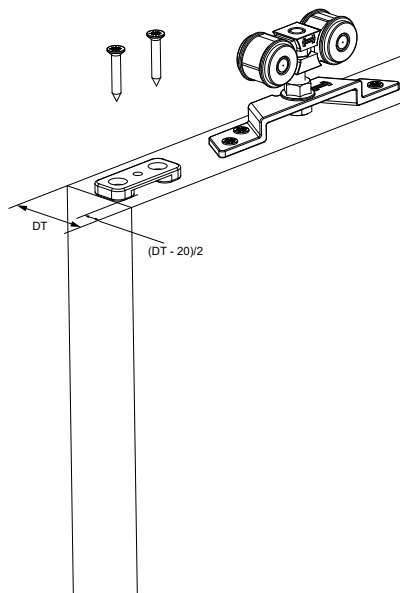
DOOR FIXINGS OVERVIEW (LH SHOWN).



10

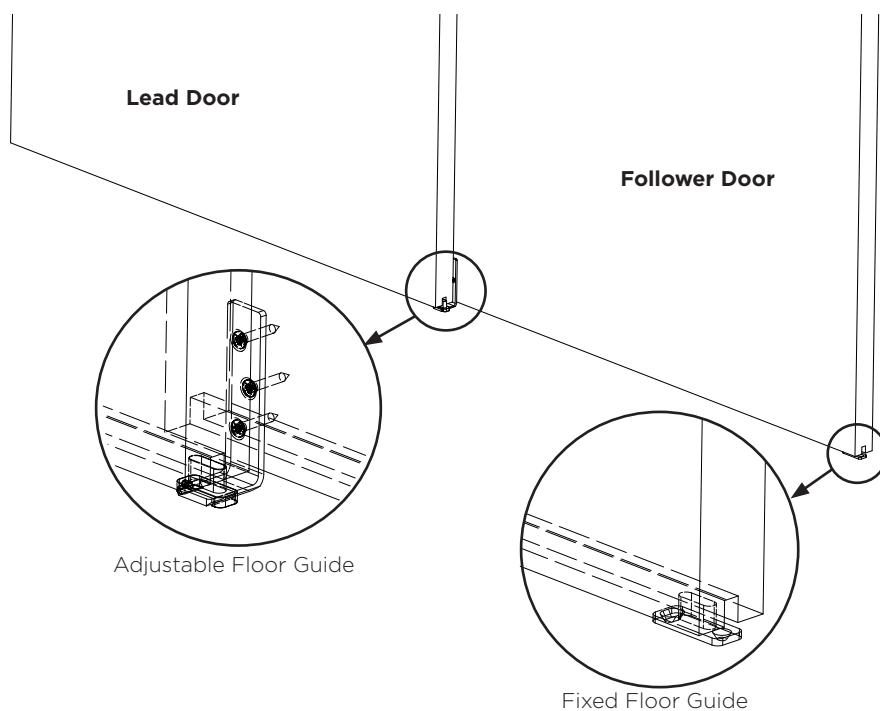
POSITION RETAIN BLOCK ON LEAD DOOR.

4.5 x 30 Wood Screws



11

FLOOR GUIDE OVERVIEW.



12 ALIGN DOORS WITH SPIRIT LEVEL TO POSITION FIXED FLOOR GUIDE.

Datum Wall

Fixed Floor Guide

13 POSITION FLOOR GUIDE ON FOLLOWER DOOR.

4.5 X 30 Wood Screws

M4 X 6 Grub Screw

93

45

(DT-10) / 2+3

14 HANG DOORS ONTO HANGERS.

15 SET HEIGHT AND SECURE DOORS TO HANGERS.

Note: See system overview for set height.

16 ENSURE FLOOR GUIDE IS CORRECTLY ALIGNED.

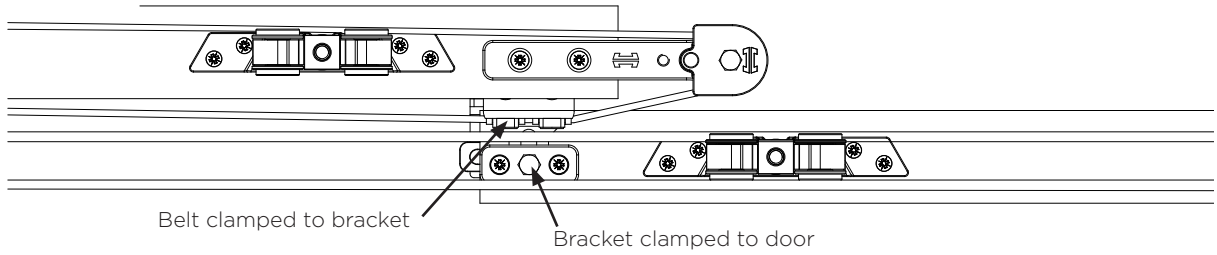
Tighten

17 CONNECT DOORS.

Ensure belt bracket is secured in place

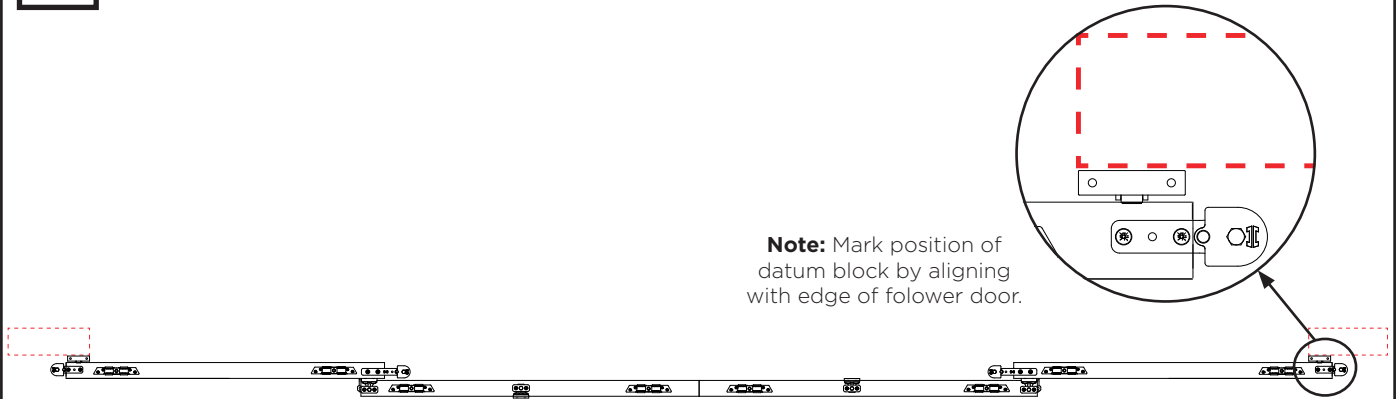
18

4 DOOR BELT OVERVIEW.



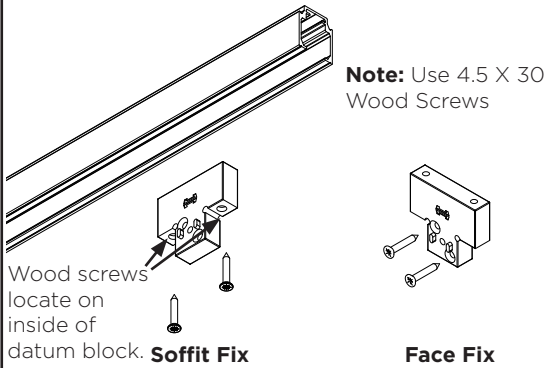
19

WITH DOORS IN FULLY CLOSED POSITION, MARK POSITION FOR DATUM BLOCK.



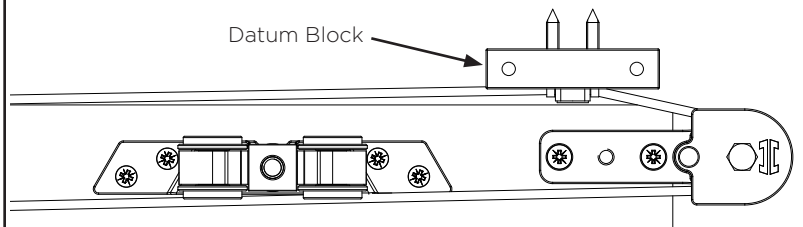
20

AFFIX DATUM BLOCK. ENSURE DOORS ARE ABLE TO FULLY TRAVERSE THE TRACK.



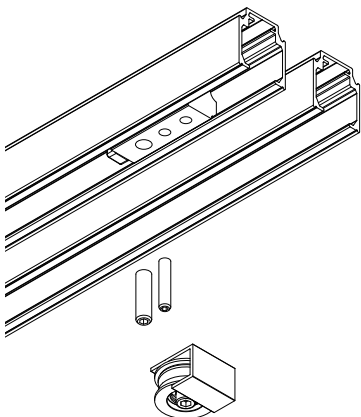
21

CONNECT BELT TO DATUM BLOCK.



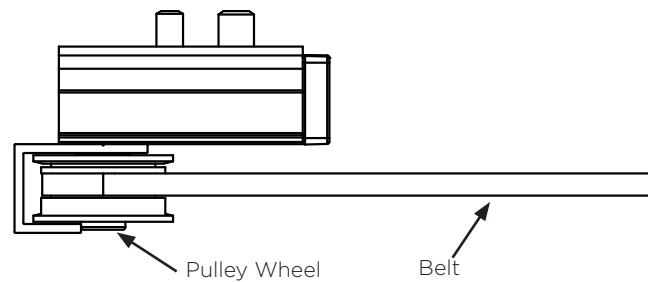
22

REMOVE PULLEY WHEEL TO SECURE STOP BLOCK. THEN RE-ATTACH.



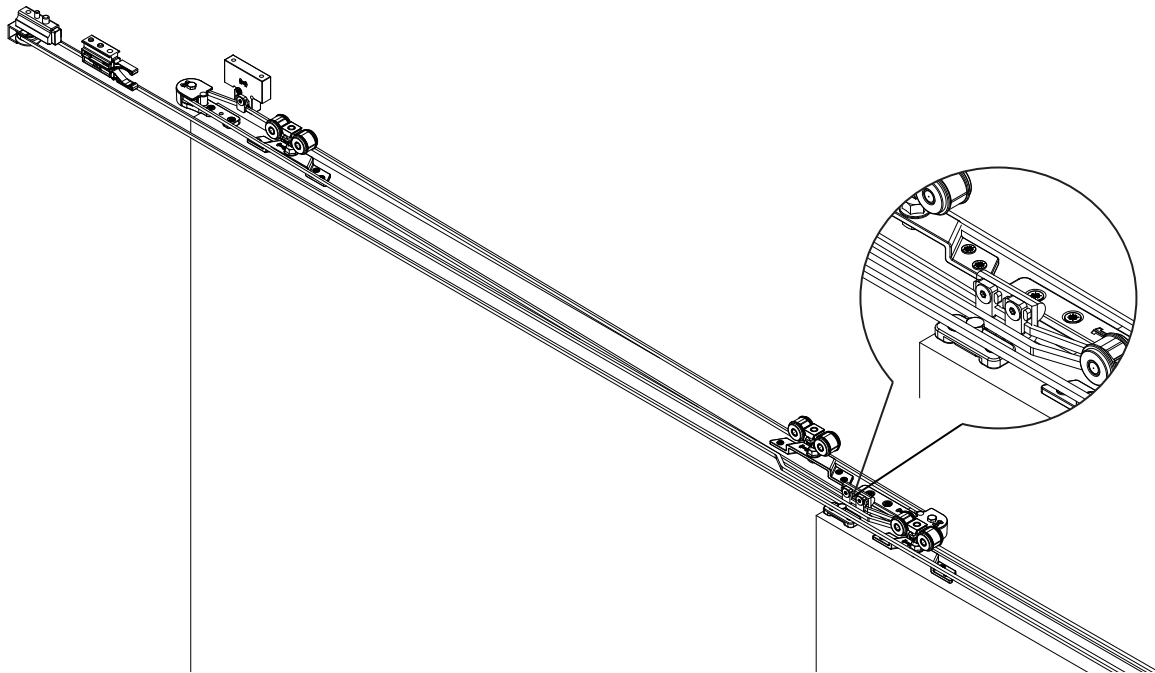
23

THREAD BELT AROUND PULLEY WHEEL



24

CONNECT FOLLOWER DOORS TO LEAD DOORS.
ENSURE BELT JOINT BRACKETS ARE SECURELY CONNECTED.



P C HENDERSON LTD

Durham Road, Bowburn,
Co. Durham,
DH6 5NG

UK SALES

t: +44 (0) 191 377 7345
e: sales@pchenderson.com
w: www.pchenderson.com

IRELAND SALES

t: +353 (0)1 643 6816
e: sales@pchenderson.ie
w: www.pchenderson.com

INTERNATIONAL SALES

t: +44 (0) 191 377 7346
e: international@pchenderson.com
w: export.pchenderson.com

370826

REV 3

Mar-23