

# HUSKY 120 PRO HENDERSON SIMULTAENOUS KIT

Wood Interior 120kg

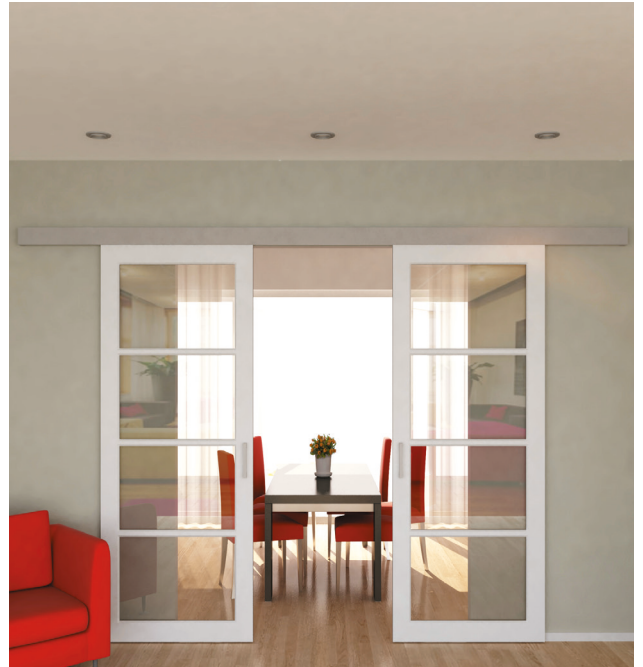
Simultaneous Action Kit for use with Husky 120 Pro

## Overview

For a maximum door weight of 120kg, this Simultaneous Action Kit has been designed for wooden doors using a Husky 120 hardware system. A perfect addition for internal, bi-parting doors - the kit can be installed onto new systems or retrofitted onto an existing installation. Featuring a polypropylene coated cable for quiet operation the kit comes complete with pulley wheels, door brackets, cable and tension spring.

## Features and Benefits

- Pull one door and the other will open/close simultaneously
- For bi-parting, internal, wooden doors
- Can be retrofitted to existing installations
- Can be used with a steel or aluminium Husky track
- Polypropylene coated cable for quiet operation
- Spring tension provides smooth operation
- Pulley wheels complete with bearings to provide reliable operation

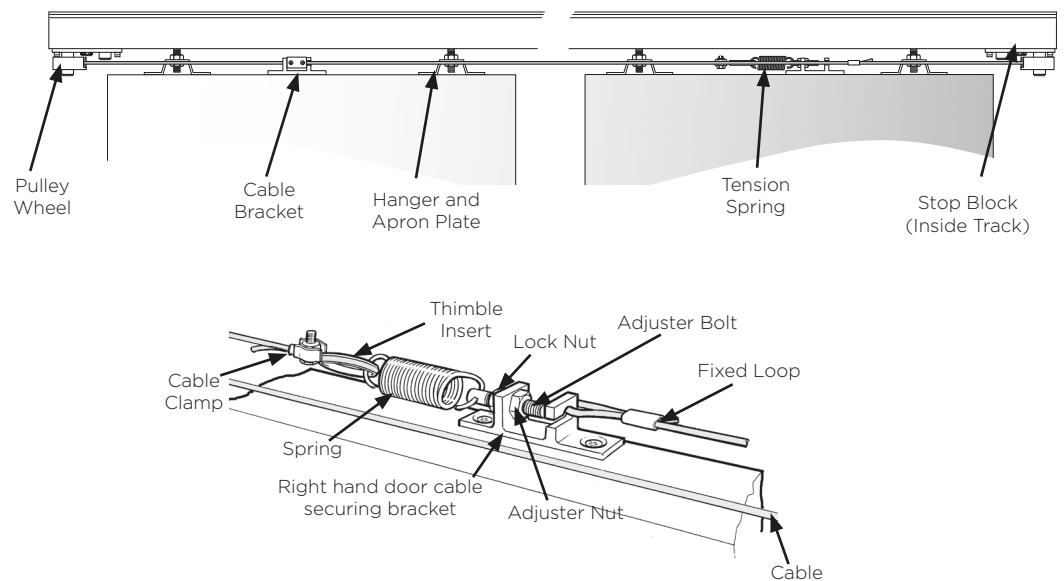


## Product and Door Specification

Kit Short Code	Door Thickness Range	Max. Door Width	Min. Door Weight	Max. Door Weight
SIMHP120	25 - 50mm	1250mm	25kg	120kg

## Kit Contents

- Pulley Wheels (x2)
- Cable Securing Brackets (x2)
- Cable
- Tension Spring
- Thimble (x2)
- HH Stop Block (x2)
- Cable Collar
- Grub Screws (x2)
- Cable Clamp and Nut
- Adjuster Bolt and Nut



For further information, please contact us on:

### UK Sales

T: +44 (0) 191 377 7345

E: [sales@pchenderson.com](mailto:sales@pchenderson.com)

W: [www.pchenderson.com](http://www.pchenderson.com)

### Export Sales

T: +44 (0) 191 377 7346

E: [international@pchenderson.com](mailto:international@pchenderson.com)

W: [export.pchenderson.com](http://export.pchenderson.com)