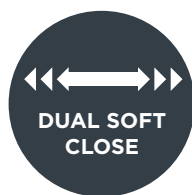


HUSKY 120 PRO SOFT CLOSE

Dual soft close mechanism designed for use with our Husky 120 Pro sliding door system.



Features & Benefits

- Dual soft close mechanism which gently decelerates the door into the open **and** closed position - preventing unwanted slamming.
- Extremely easy to install.
- Caters for wooden and metal doors weighing up to 120kg and up to 2500mm wide.
- Designed for use with our popular Husky 120 Pro sliding door hardware system.

Please Note: Husky 120 Pro kit must be purchased in addition to the Husky 120 Pro Soft Close.

Husky 120 Pro Soft Close Kit Specification

Product Code	Door Width Range	Door Weight Range
SOFTHP/60	600 - 950mm	10 - 60kg
SOFTHP/120	600 - 950mm	60 - 120kg
SOFTHP/WD	950 - 2500mm	20 - 120kg

Husky 120 Pro Kit Specification - must be purchased in addition to soft close kit

Product Code	Track Length	Max. Door Width	Door Thickness Range	Max. Door Weight
HP120/15A	1500mm	800mm	20 - 45mm	120kg
HP120/18A	1800mm	950mm	20 - 45mm	120kg
HP120/20A	2000mm	1050mm	20 - 45mm	120kg
HP120/25A	2500mm	1250mm	20 - 45mm	120kg
HP120/30A	3000mm	1500mm	20 - 45mm	120kg

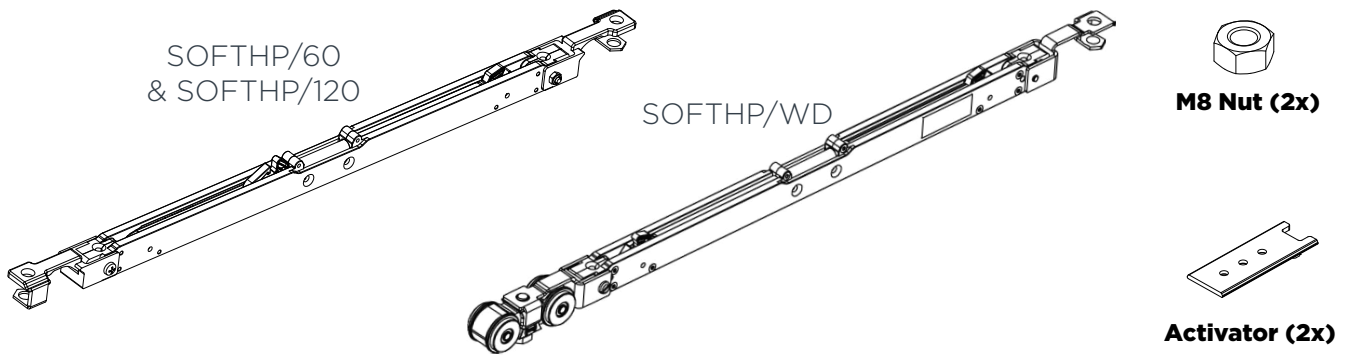
P C Henderson Ltd
Durham Road, Bowburn,
County Durham,
DH6 5NG

UK SALES
T: +44 (0) 191 377 7345
E: sales@pchenderson.com
W: www.pchenderson.com

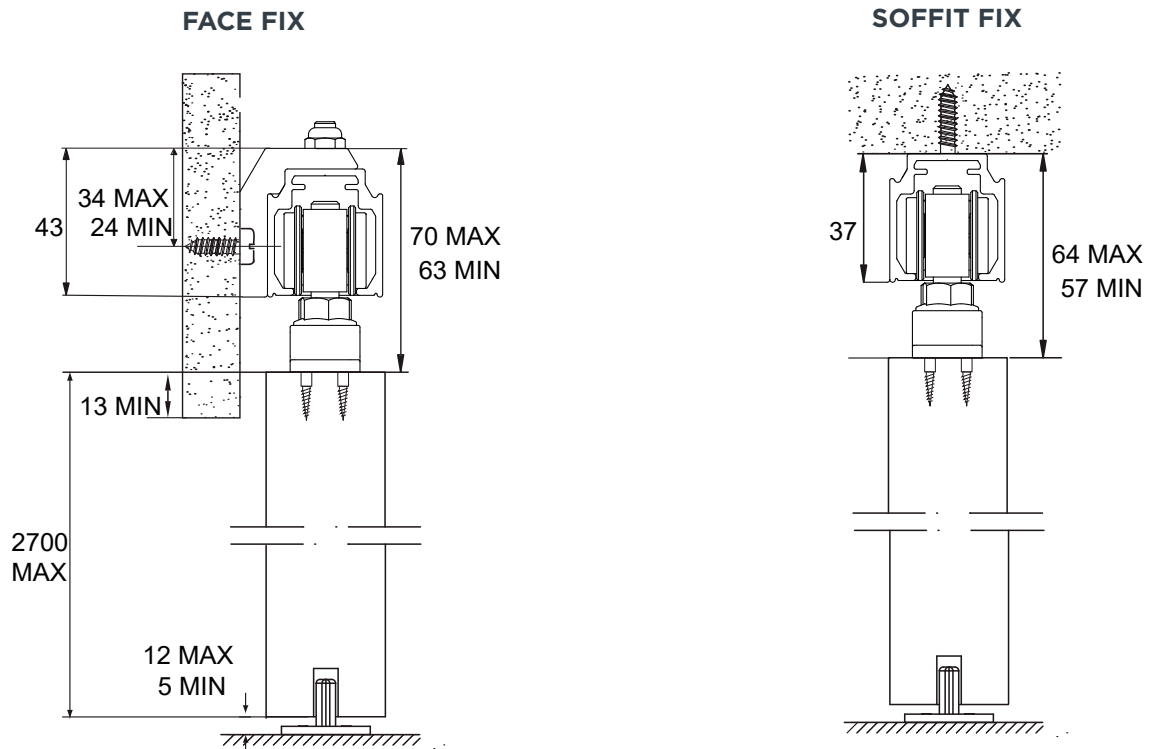
HENDERSON

Husky 120 Pro Soft Close Kit Contents

Soft Close Damper (1x)



Product Diagrams



SOFTHP/60 & SOFTHP/120

SOFTHP/WD



Optional Accessories

Compact 120



The Compact 120 Low Headroom kit has been designed with discreet and concealed components which are routed into the top of the door - reducing the clearance between the track and top of the door to 2mm.

Catering for wooden doors weighing up to 120kg, Compact 120 is suitable for applications with restricted headroom or seeking a minimalistic finish or floor to ceiling sliding doors.

Please note: Husky 120 Pro kit & Soft Close kit must be purchased in addition to the Compact 120.

Product Code	Min. Door Thickness	Max. Door Weight
CP120	35mm	120kg

SnapFit Fascia



SnapFit offers an aluminium fascia for use with Husky 120 Pro sliding systems. The easy-to-install fascia mounts the Husky 120 Pro track and clips into place, allowing for a modern and professional finish. The fascia comes complete with endcaps and is available for both soffit fixed and face fixed applications.

Please note: Husky 120 Pro Kit & Soft Close kit must be purchased in addition to the fascia.

Product Code	Description
SFF/FF/****A	Face Fixed - 1800, 2000, 3000, 4000 & 6000mm
SFF/SF/****A	Soffit Fixed - 1800, 2000, 3000, 4000 & 6000mm