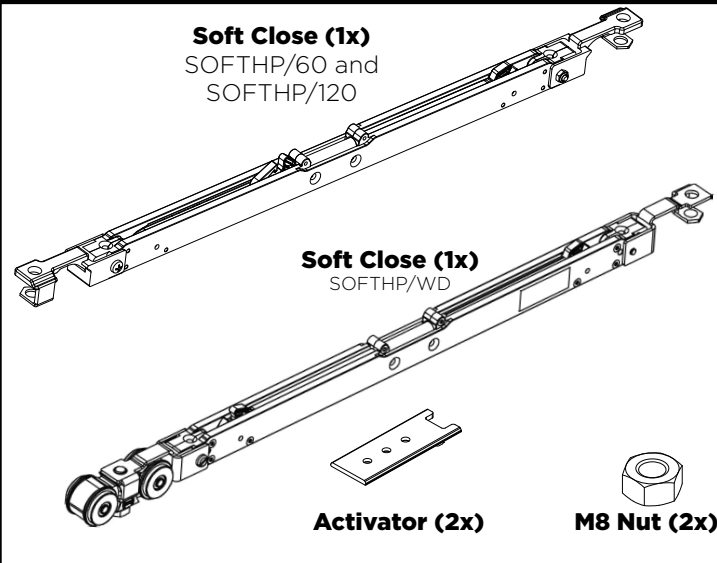


HUSKY 120 PRO SOFT CLOSE HENDERSON

FITTING INSTRUCTIONS

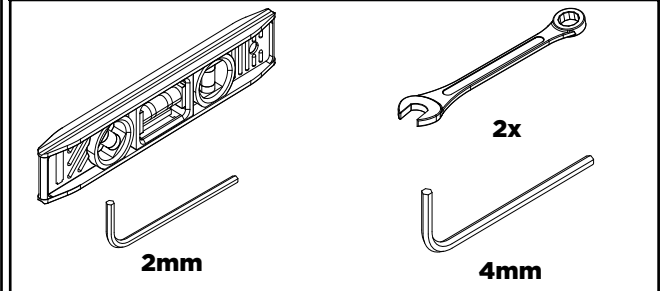
KIT CONTENTS



KIT SPECIFICATION

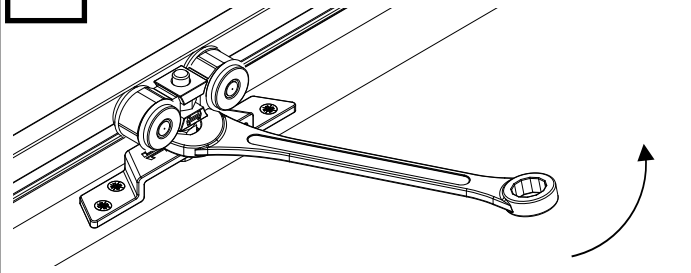
Product Code	Door Width Range	Door Wight Range
SOFTHP/60	600 - 950mm	10 - 60kg
SOFTHP/120	600 - 950mm	60 - 120kg
SOFTHP/WD	950 - 2500mm	20 - 120kg

TOOLS REQUIRED

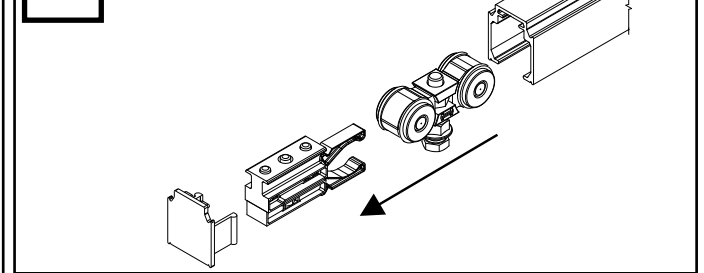


NOTE: IF RETRO-FITTING SOFT CLOSE TO PREVIOUSLY INSTALLED DOOR, START AT STEP 1. IF FITTING DURING INITIAL INTSTALLATION, START AT STEP 3.

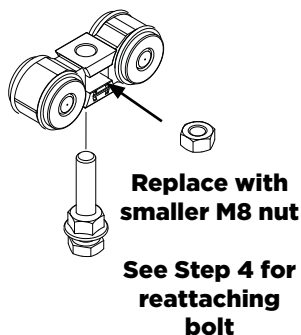
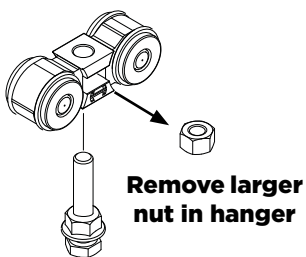
1 LOOSEN NUTS AND REMOVE DOORS.



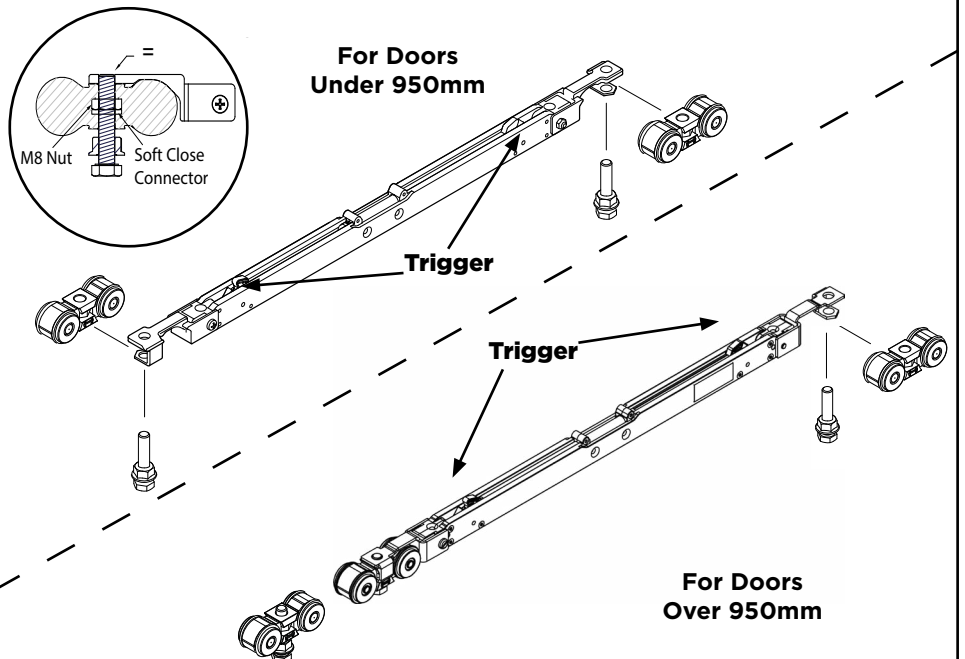
2 REMOVE COMPONENTS.



3 REPLACE LARGER NUT WITH M8 NUT SUPPLIED.

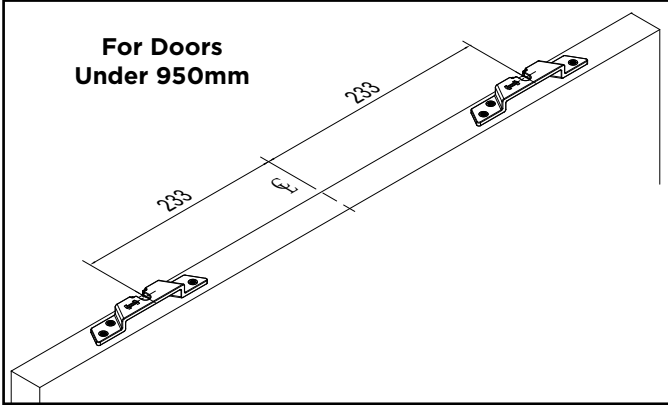


4 CONNECT SOFT CLOSE TO HANGER. ENSURE TRIGGERS ARE PULLED TO EITHER SIDE OF SOFT CLOSE UNIT IN "CHARGED" POSITION.

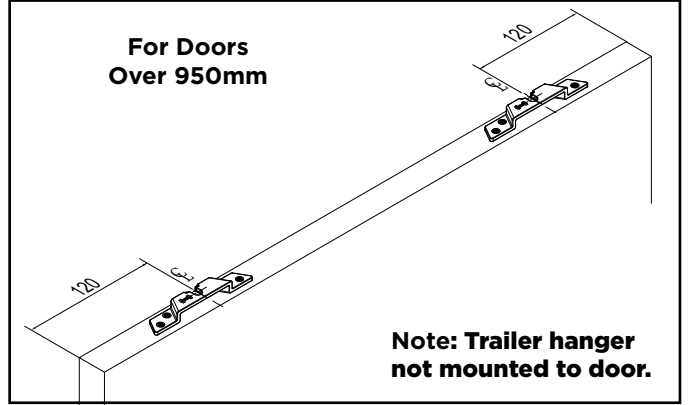


5 FIT APRON PLATES USING DOOR CENTRE LINE.

For Doors
Under 950mm

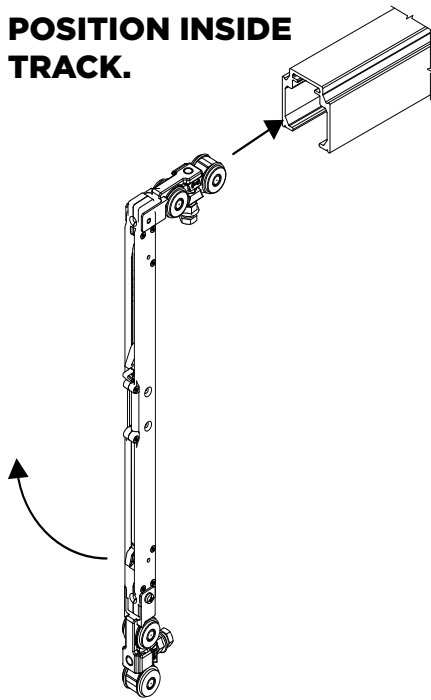


For Doors
Over 950mm

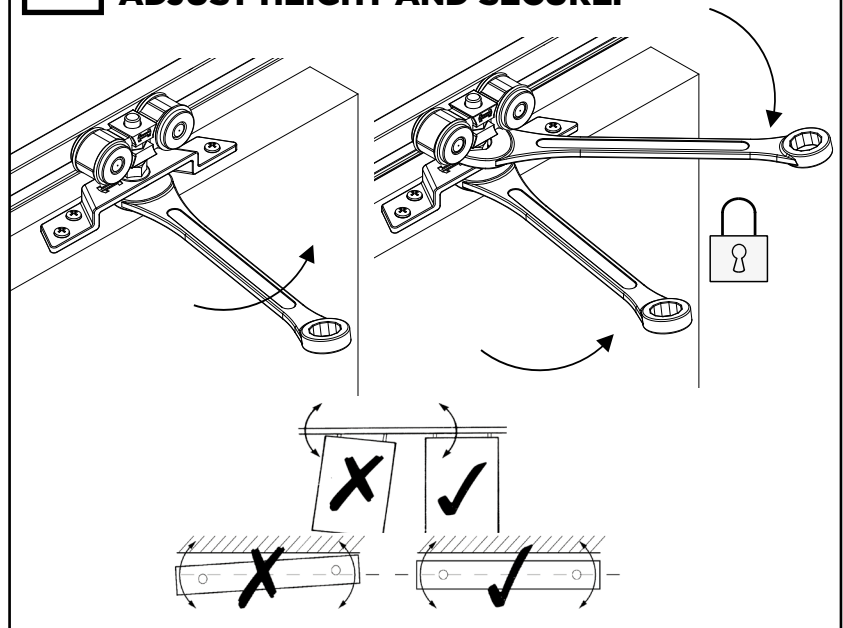


Note: Trailer hanger
not mounted to door.

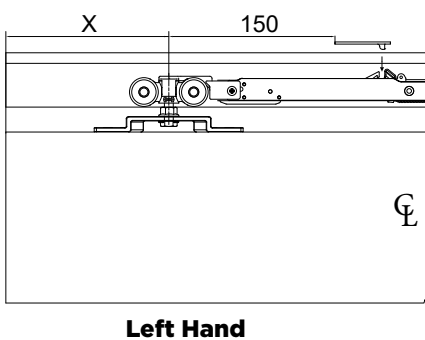
6 POSITION INSIDE TRACK.



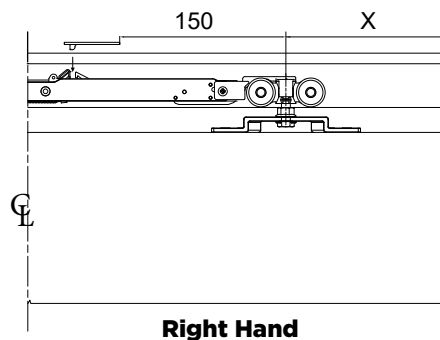
7 FIT HANGER TO APRON PLATE. ADJUST HEIGHT AND SECURE.



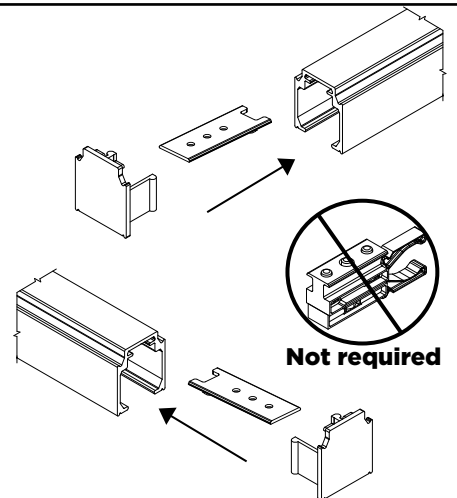
8 INSERT ACTIVATOR AND END CAPS.



Left Hand



Right Hand



Not required

X = distance between edge of door in closed position to centre-line of apron plate.
X + 150 = Activator location

P C HENDERSON LTD UK SALES
Durham Road, Bowburn, t: +44 (0) 191 377 7345
Co. Durham, e: sales@pchenderson.com
DH6 5NG w: www.pchenderson.com

IRELAND SALES
t: +353 (0)1 643 6816
e: sales@pchenderson.ie
w: www.pchenderson.ie

INTERNATIONAL SALES
t: +44 (0) 191 377 7346
e: international@pchenderson.com
w: export.pchenderson.com

370771
REV 4
Jul-24