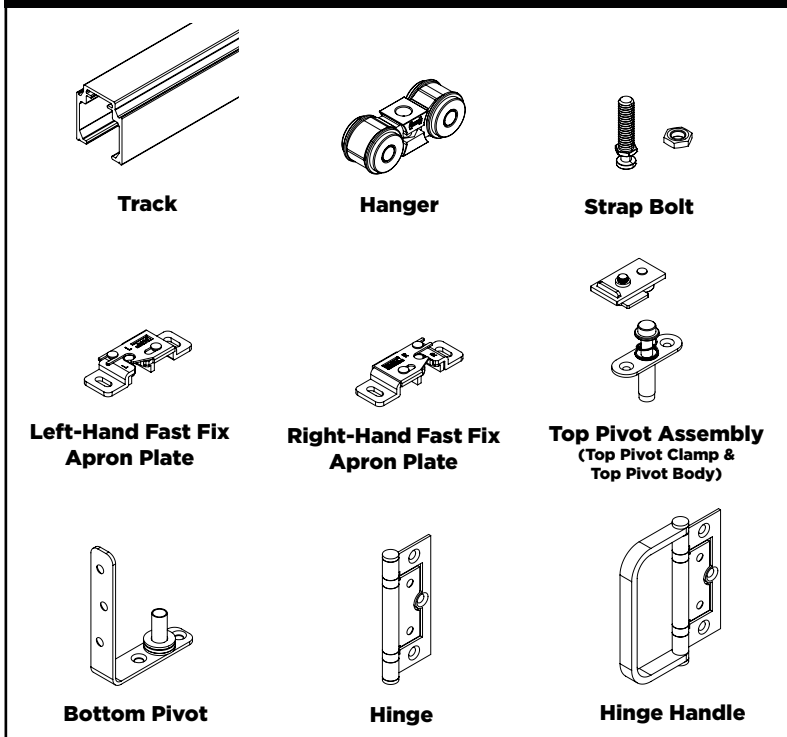


FITTING INSTRUCTIONS

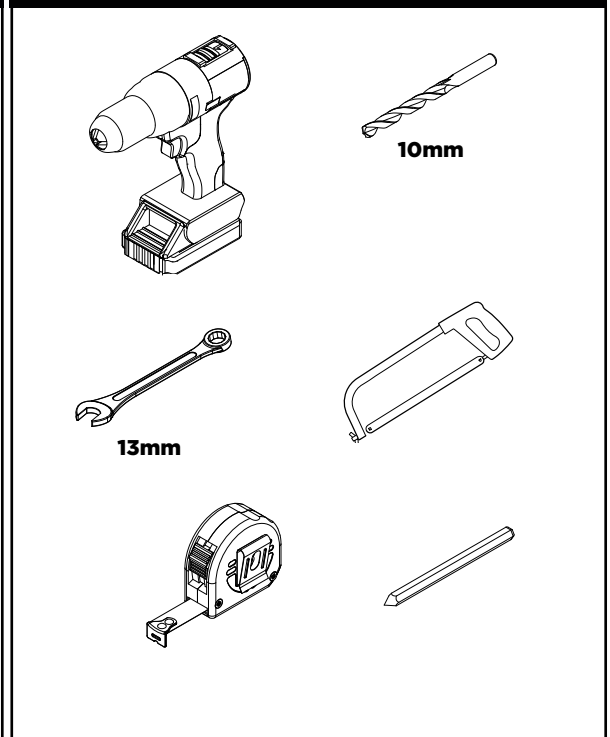
KIT AND DOOR SPECIFICATION

Product Code	Door Configuration	Track Length	Max. Door Height	Max. Door Width	Door Thickness Range	 kg
HF30/2/0	2+0	1800mm	2700mm	850mm	20-44mm	30kg
HF30/2/1	2+1	2700mm	2700mm	850mm	20-44mm	30kg
HF30/2/2	2+2	3500mm	2700mm	850mm	20-44mm	30kg
HF30/3/0	3+0	2700mm	2700mm	850mm	20-44mm	30kg
HF30/3/1	3+1	3500mm	2700mm	850mm	20-44mm	30kg
HF30/4/0	4+0	3500mm	2700mm	850mm	20-44mm	30kg

KIT CONTENTS



TOOLS REQUIRED

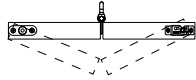
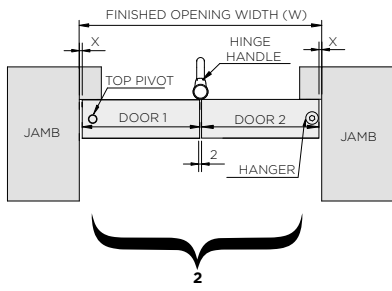


KIT CONTENTS

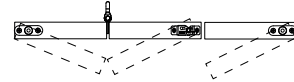
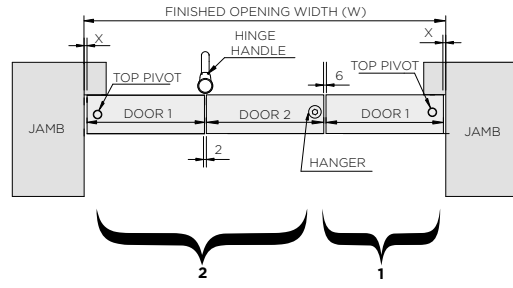
Product Code	Track	Hanger	Strap Bolt	LH Fast Fix Apron Plate	RH Fast Fix Apron Plate	Top Pivot	Bottom Pivot	Hinge	Hinge Handle
HF30/2/0	1	1	1	1	1	1	1	2	1
HF30/2/1	1	1	1	1	1	2	2	2	1
HF30/2/2	1	2	2	2	2	2	2	4	2
HF30/3/0	1	1	1	1	1	1	1	5	1
HF30/3/1	1	1	1	1	1	2	2	5	1
HF30/4/0	1	2	2	2	2	1	1	7	2

SYSTEM OVERVIEW AND DOOR CONFIGURATIONS

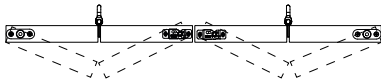
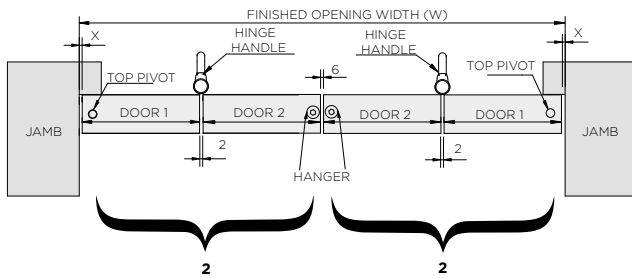
2+0



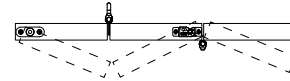
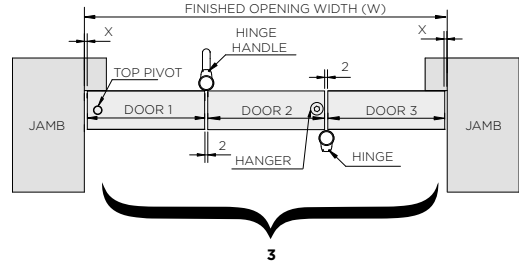
2+1



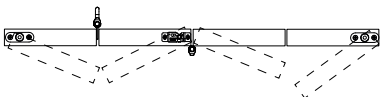
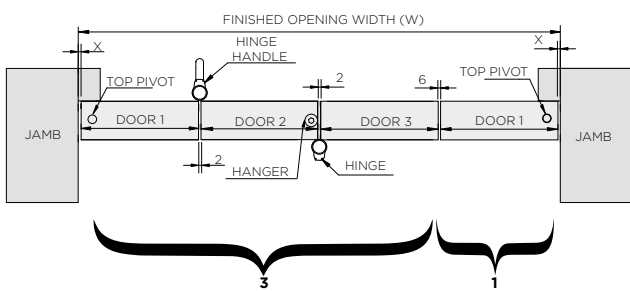
2+2



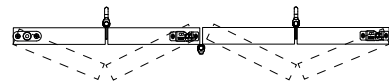
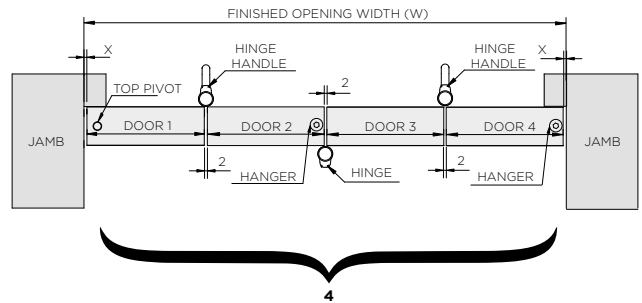
3+0



3+1



4+0

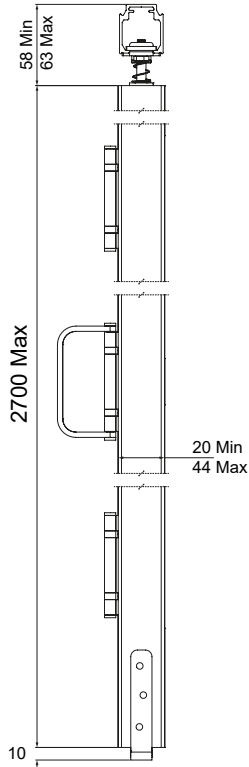


DOOR THICKNESS	X (Door to jamb clearance)
0-35mm	6mm
36-40mm	8mm
41-44mm	10mm

FRAME DIMENSIONS

1

Diagram 1 - Section View



KEY	
DW	Door Width
DH	Door Height

Diagram 2 - Elevation View

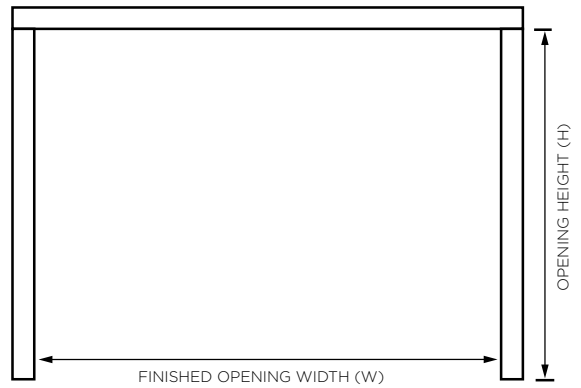


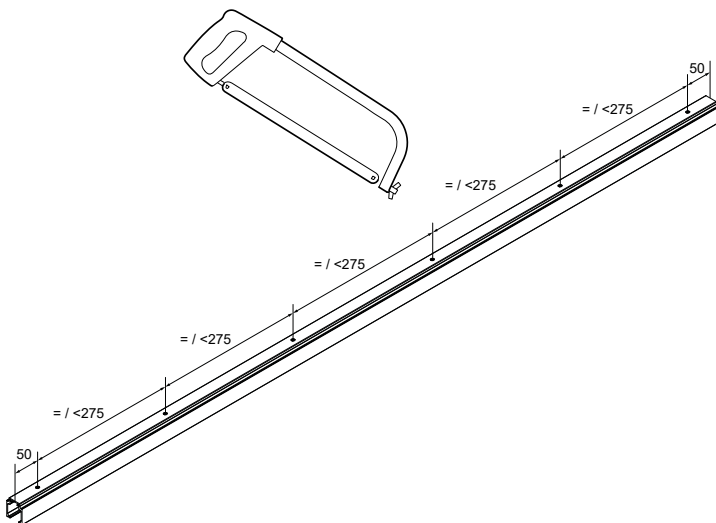
Table A - Opening Size Formula

Door Configuration	Finished Opening Width			Opening Height (H)
	0-35mm Door Thickness	36-40mm Door Thickness	41-44mm Door Thickness	
2+0	(DW x 2) + 14	(DW x 2) + 18	(DW x 2) + 22	DH+70
2+1	(DW x 3) + 20	(DW x 3) + 24	(DW x 3) + 28	
2+2	(DW x 4) + 22	(DW x 4) + 26	(DW x 4) + 30	
3+0	(DW x 3) + 16	(DW x 3) + 20	(DW x 3) + 24	
3+1	(DW x 4) + 22	(DW x 4) + 26	(DW x 4) + 30	
4+0	(DW x 4) + 18	(DW x 4) + 22	(DW x 4) + 26	

Note: Ensure opening is square, level and all load bearing areas are suitable for weight of system. Ensure there is sufficient strength in structure above the opening to take concentrated weight of doors when open. Ensure doors are measured accurately prior to installation.

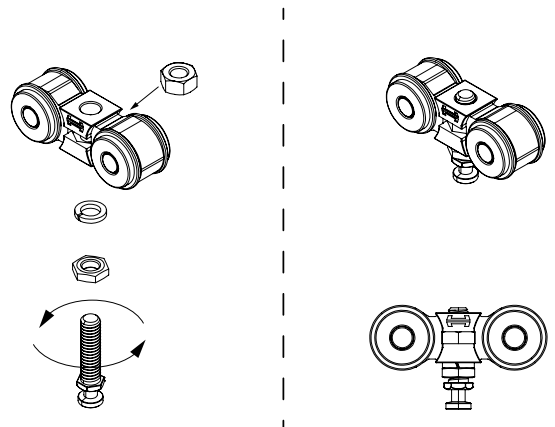
2

USING OPENING WIDTH SHOWN IN TABLE "A" ABOVE, CUT TRACK TO REQUIRED LENGTH. ENSURE 5MM HOLE 50MM FROM END OF THE TRACK.

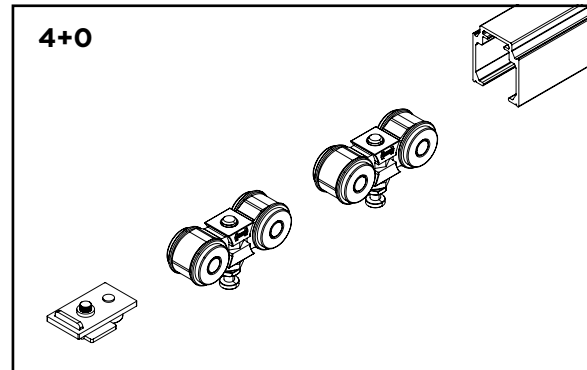
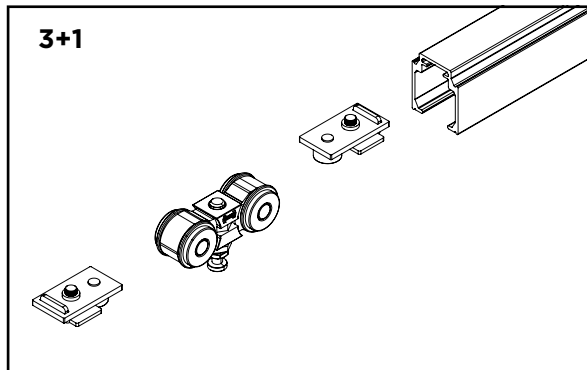
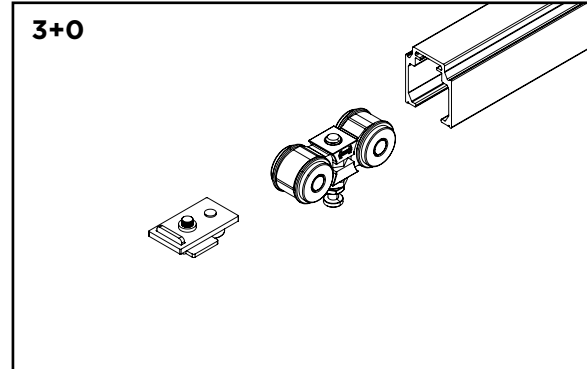
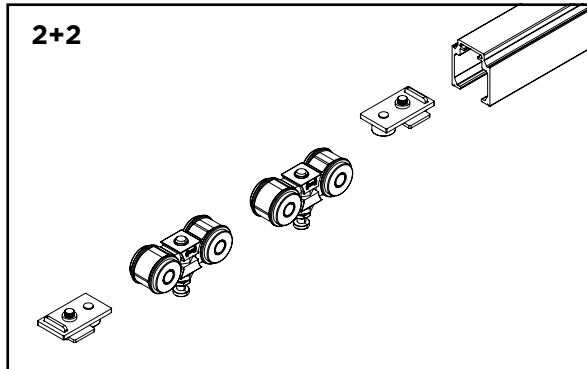
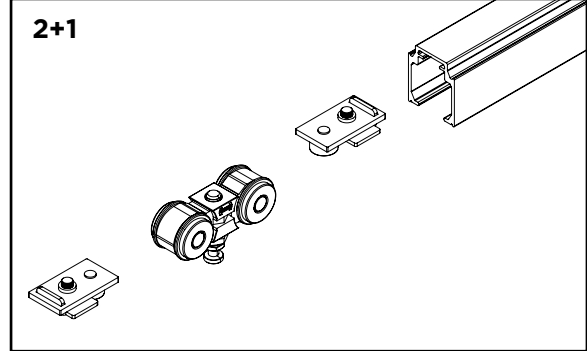
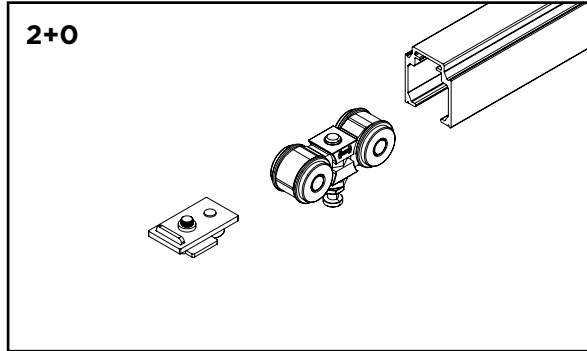


3

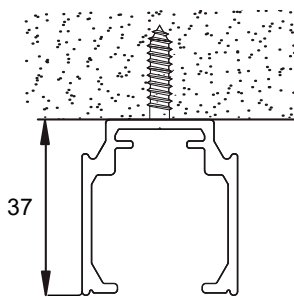
INSERT STRAP BOLT INTO HANGER. ENSURE BOLT IS FLUSH WITH TOP OF HANGER. DO NOT TIGHTEN.



4 SLIDE PIVOT BLOCK(S) AND HANGER(S) INTO TRACK.

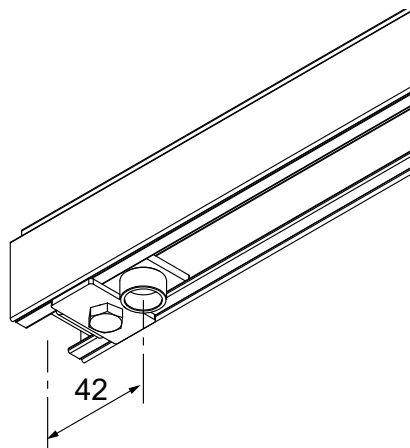


5 SECURE TRACK INTO PLACE.

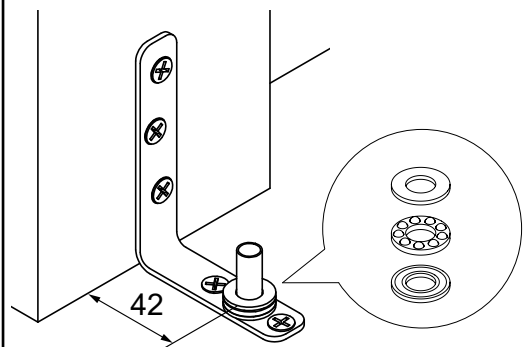


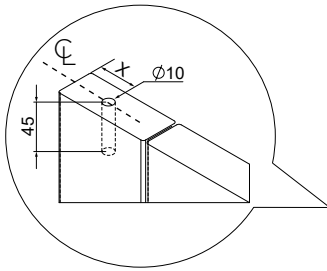
Note: Fixings not provided. Ensure fixings can support system weight.

6 SLIDE PIVOT BLOCK(S) FLUSH TO FRAME. SECURE IN PLACE.

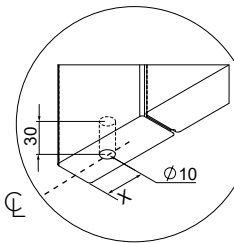


7 USE A PLUM LINE TO ALIGN TOP PIVOT HOLE CENTRE TO BOTTOM PIVOT PLATE. SCREW INTO PLACE.

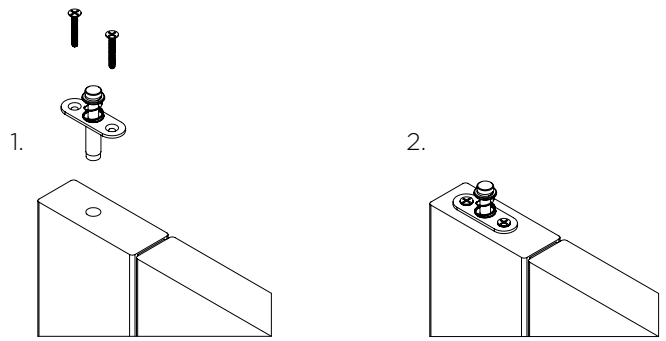


8**DRILL A HOLE INTO TOP AND BOTTOM OF PIVOT DOOR ON THE SIDE CLOSEST TO DOOR FRAME.**

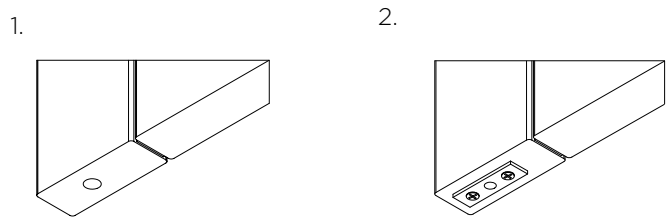
DOOR THICKNESS	X
0-35mm	36mm
36-40mm	34mm
41-44mm	32mm



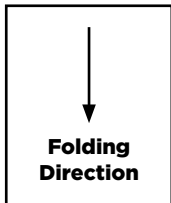
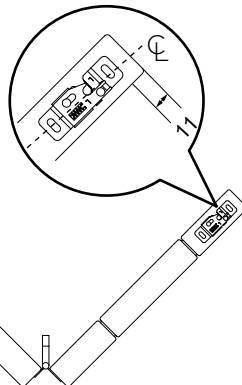
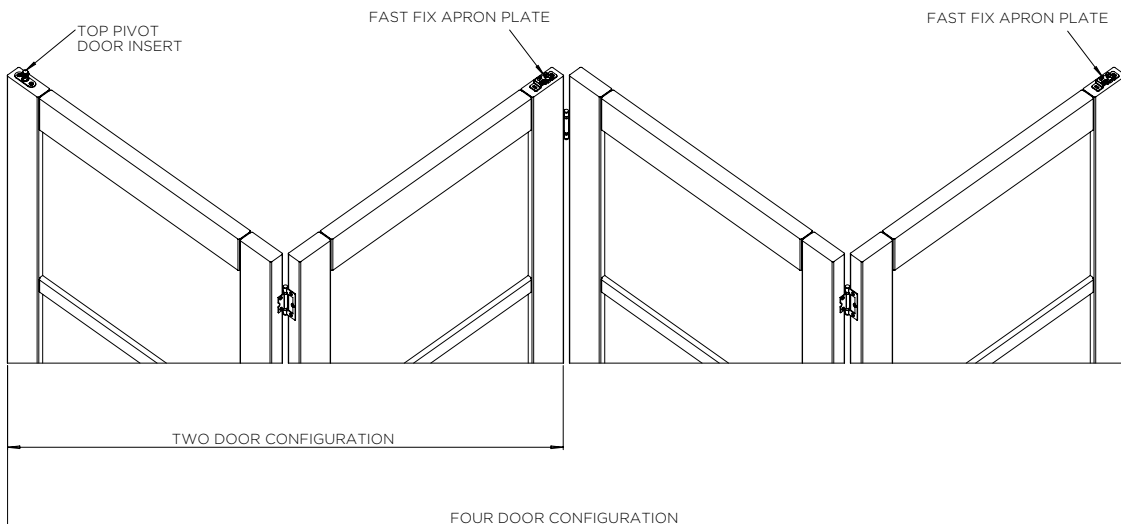
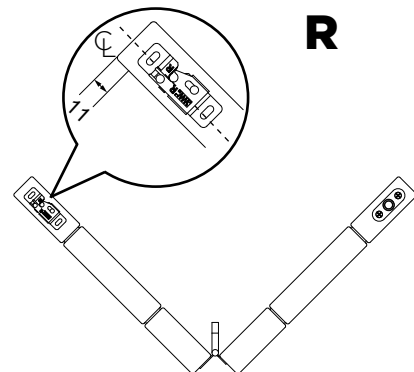
1st Door
(Pivot Door)
When stacked
to one side

9**POSITION AND SECURE TOP PIVOT BODY TO TOP OF PIVOT DOOR AND BOTTOM PIVOT BODY TO BOTTOM OF PIVOT DOOR.**

Top of Pivot Door



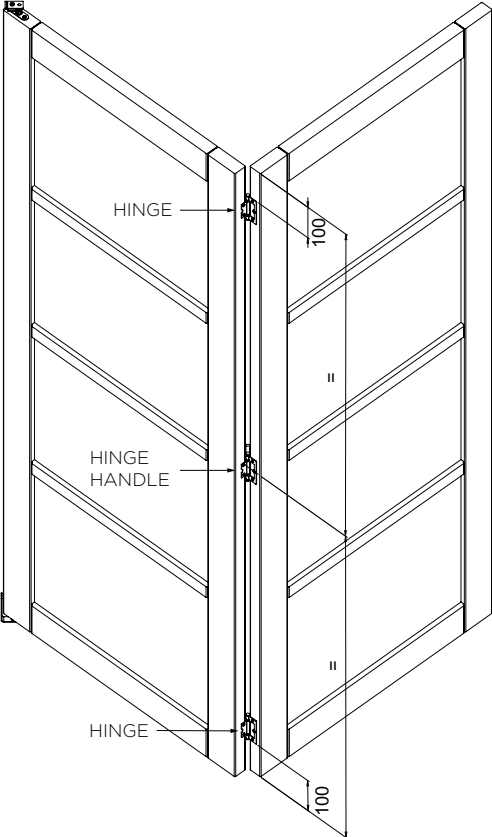
Bottom of Pivot Door

10**AFFIX FAST FIX APRON PLATES. PLEASE SEE PAGE 2 FOR REFERENCE.****L****R**

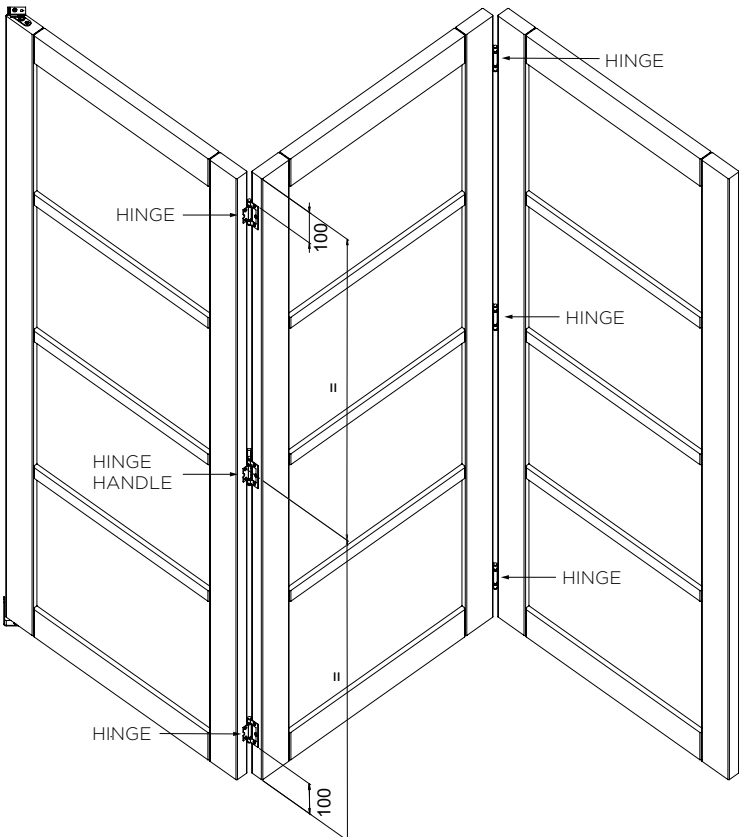
DOORS AND HINGES OVERVIEW

11 FIX RELEVANT HINGES TO DOORS - DEPENDING ON DOOR SET UP

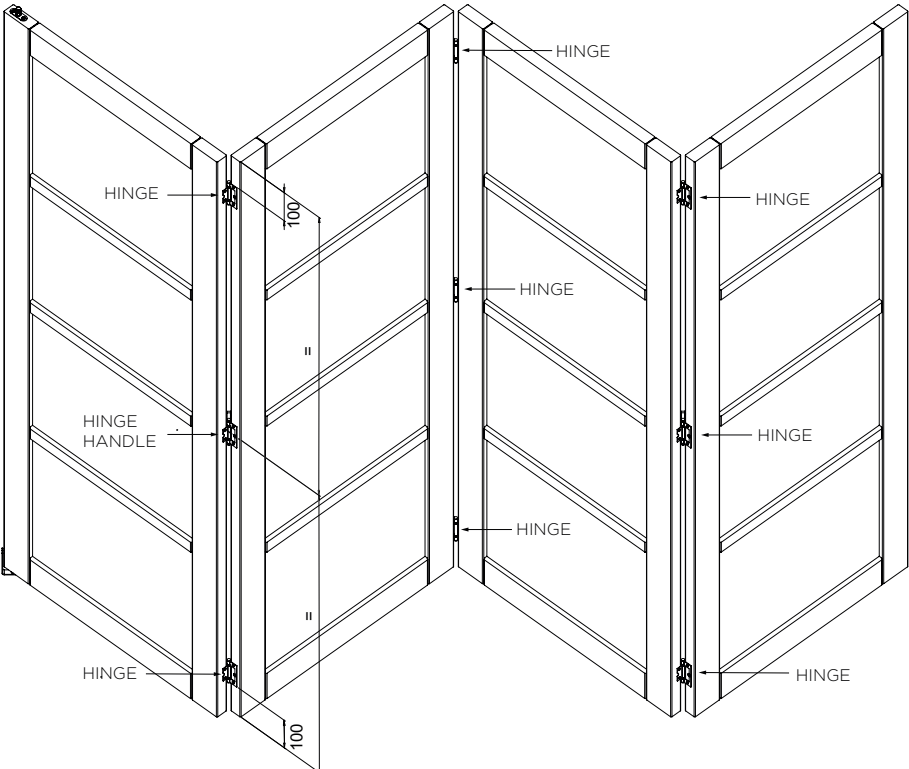
2 Doors Setup



3 Doors Setup



4 Doors Setup



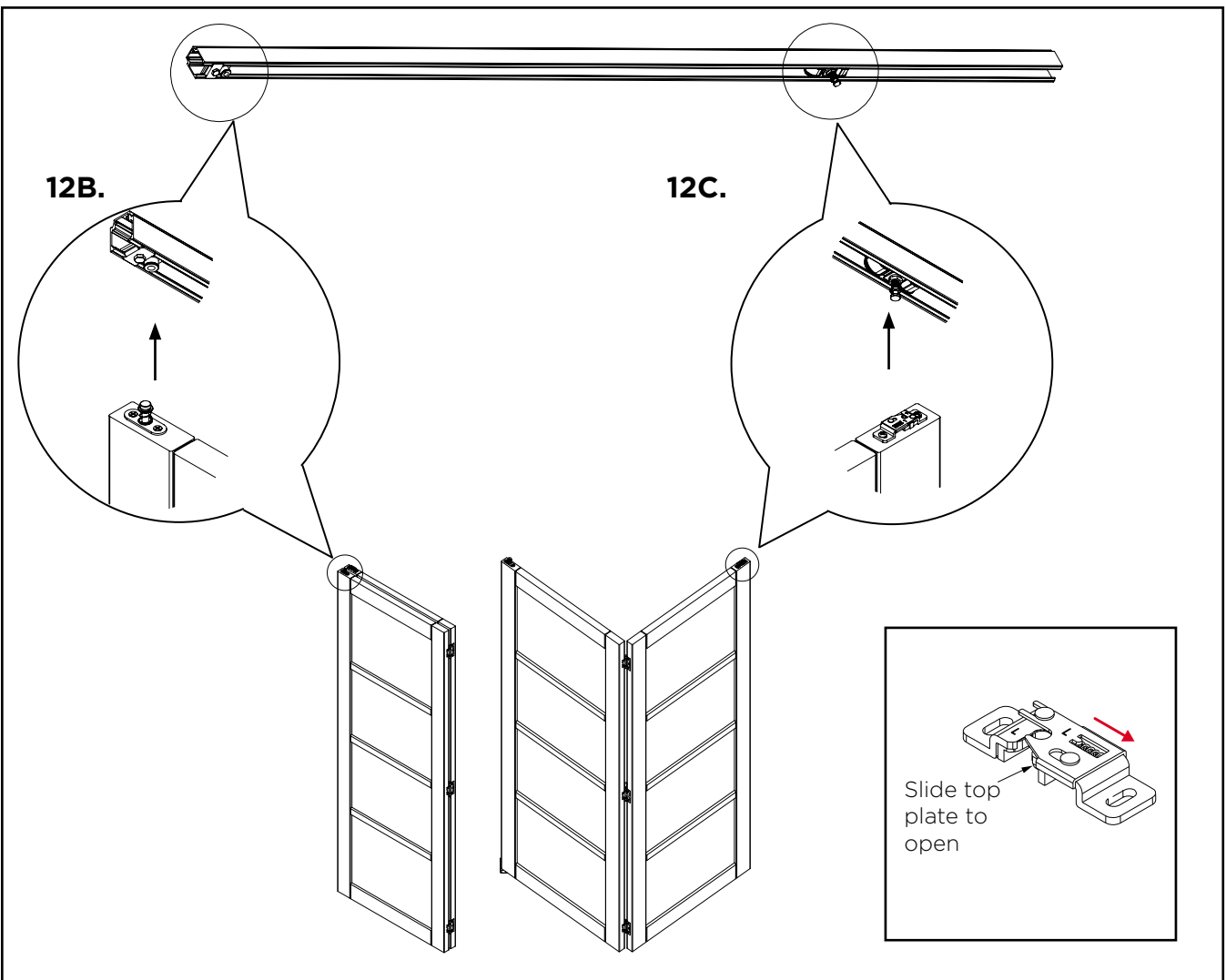
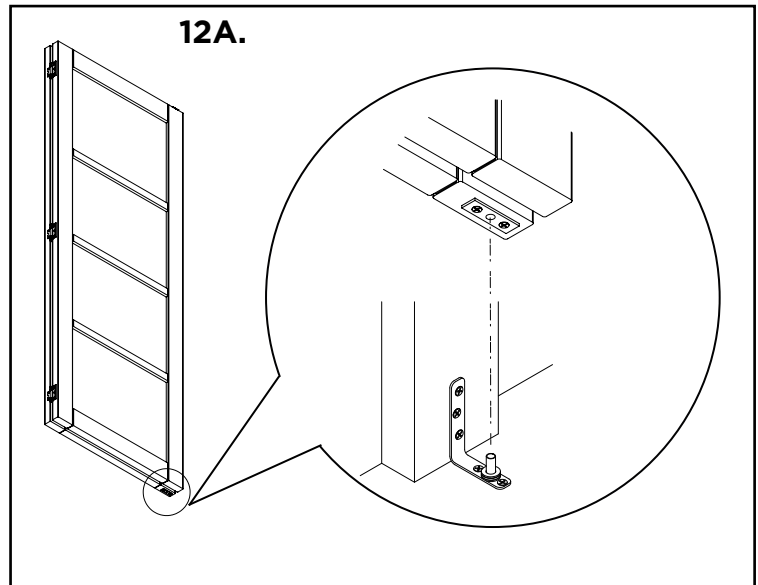
12 FOLLOW STEPS BELOW FOR FITTING DOORS TO TRACK.

12A. Line up Bottom Pivot with bottom of door and insert Bottom Pivot.

12B. Stack doors together. Compress and insert Top Pivot Body into the Top Pivot Clamp, in the track.

12C. Unfold doors 1 & 2. Pull back slide on Fast Fix Apon Plate and insert Hanger Strap Bolt. If required, adjust height of strapbolt as seen in Step 3. Once height is correct, lock off nut.

Depending on door configurations, repeat this step as required.



Note: Regularly maintain and clean door hardware, to ensure product longevity.

P C HENDERSON LTD

Durham Road, Bowburn, t: +44 (0) 191 377 7345
Co. Durham,
DH6 5NG

UK SALES

t: +44 (0) 191 377 7345
e: sales@pchenderson.com
w: www.pchenderson.com

IRELAND SALES

t: +353 (0)1 643 6816
e: sales@pchenderson.ie
w: www.pchenderson.ie

INTERNATIONAL SALES

t: +44 (0) 191 377 7346
e: international@pchenderson.com
w: export.pchenderson.com

370940

REV 3

Sep-24