

# ROOMFLEX 50KG

MAXIMUM DOOR WEIGHT 50kg EACH

Roomflex has been designed to create and enhance flexible living environments whilst keeping an open plan feel by fully opening up interior walls.

The system operates with effortless ease and combines the space saving benefits of folding doors without compromising on style or function.

## APPLICATIONS

- ▶ Residential and commercial timber folding application
- ▶ End folding timber doors folding to one of both sides

## DOOR SPECIFICATION

For Individual door leaves

Maximum Leaf Height	3000mm
Maximum Leaf Weight	50kg
Maximum Leaf Width	926mm
Maximum Leaf Thickness	35-44mm

The folding unit is partially hinged to the post and part pivoted in the top track. All door leaves are equal width.

Sill and frame should be constructed in accordance with the Roomflex fitting instructions.

Neither hangers nor hinges require rebating.

## GEAR SPECIFICATION

### Roomflex kit 1

#### Two door kit (RF50K1)

- 1x Bag A - Pivot set
- 1x Bag C - Hinge handle set
- 1x Bag D - End hanger set
- 1x 110mm Flush bolt

### Roomflex kit 2

#### Three door kit (RF50K2)

- 1x Bag A - Pivot set
- 1x Bag E - Offset handle hinge set
- 1x Bag B - Intermediate hanger set
- 2x 110mm Flush bolt

### Roomflex kit 3

#### Three plus one door kit (RF50K3)

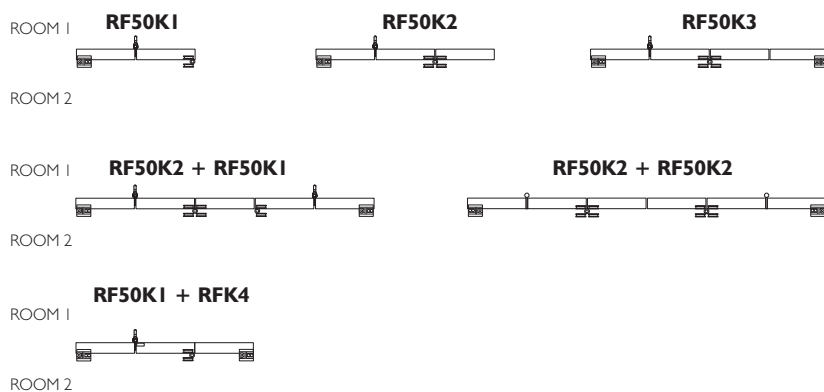
- 2x Bag A - Pivot set
- 1x Bag E - Offset handle hinge set
- 1x Bag B - Intermediate hanger set
- 2x 110mm Flush bolt

### Roomflex kit 4

#### Swing door kit (RFK4)

- 1x Bag A - Pivot set

## Door Hardware Configuration



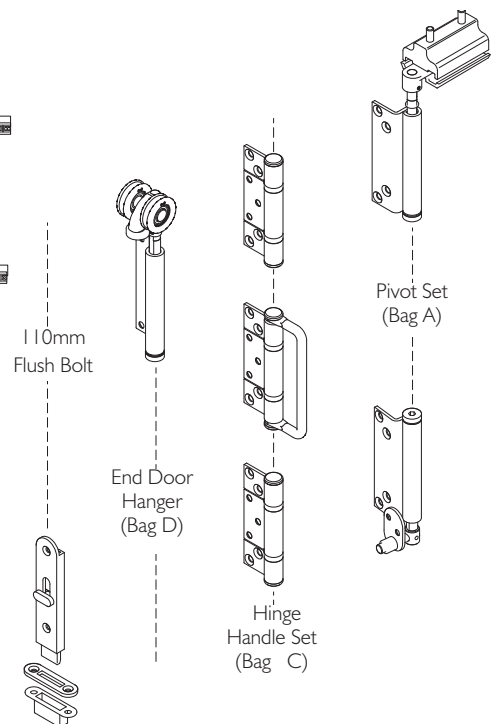
## Required Extra

**Track180** Anodised aluminium Std. lengths 2000,2500,3000,3500,4000,5000 & 6000mm

## Optional Extras

<b>Seals</b>	AQ63B	Door Perimeter Seal - Brown
	AQ21B	Frame Perimeter Seal - Brown
	BS10	Track Seal - Black

## FOR SLIDING TIMBER DOORS

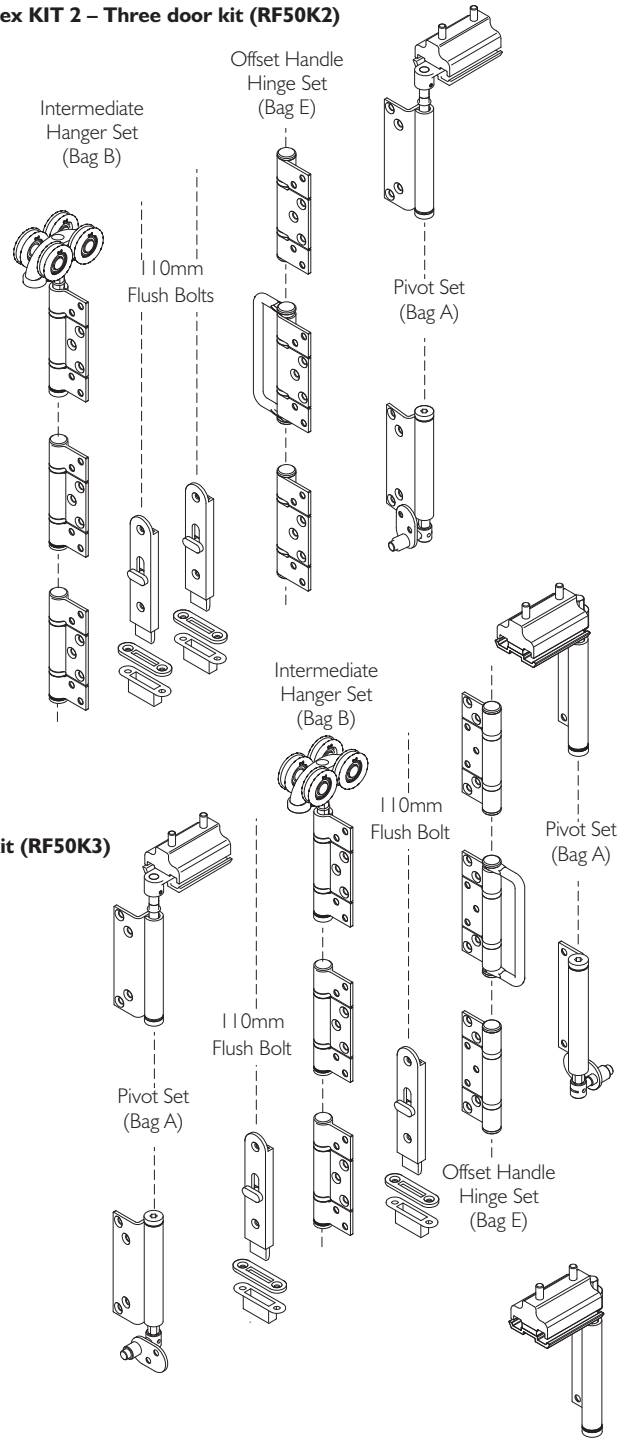
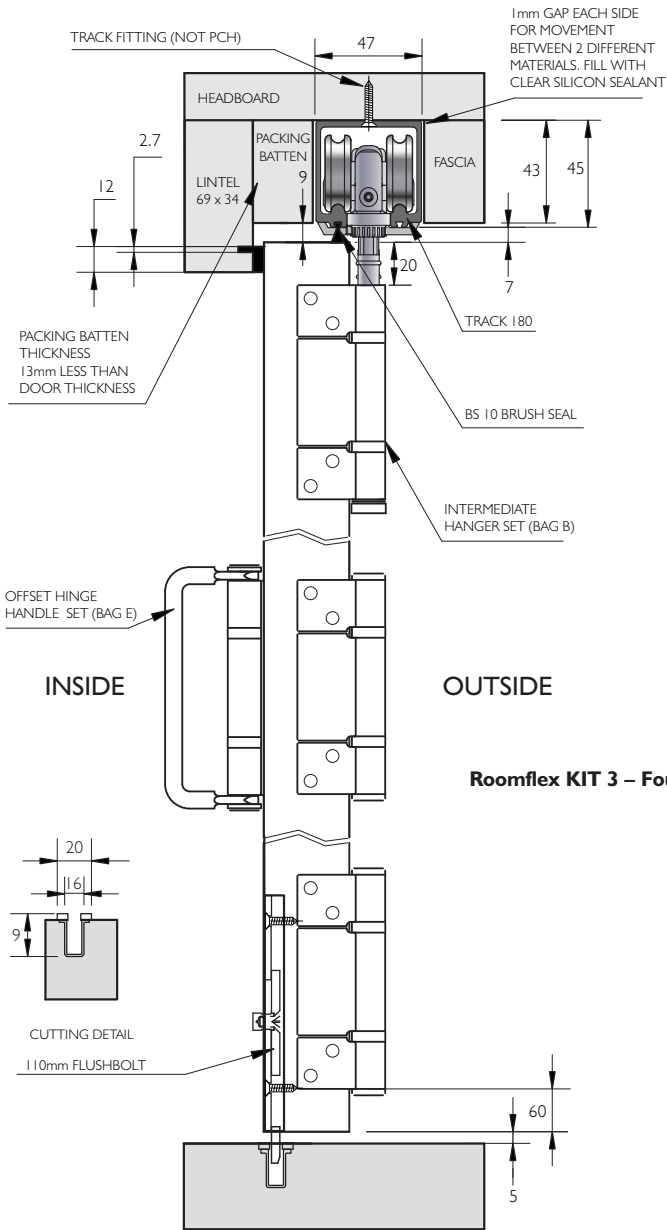


Roomflex KIT 1 – Two door kit (RF50K1)

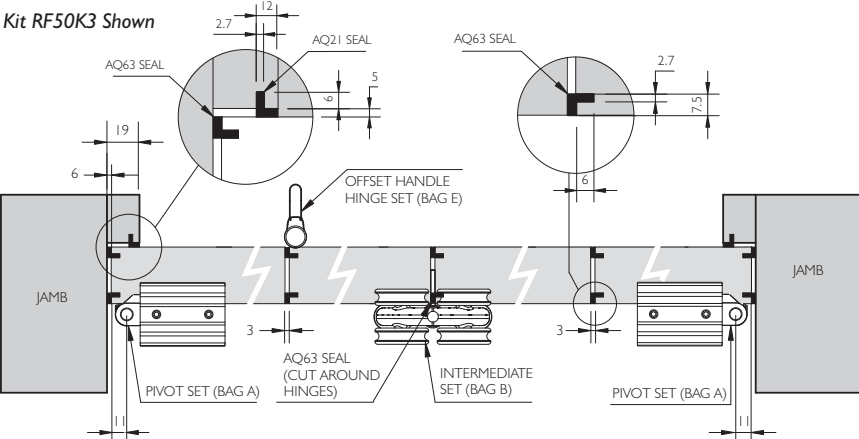
# ROOMFLEX 50KG

FOR SLIDING TIMBER DOORS WITH A MAXIMUM DOOR WEIGHT OF 50kg EACH

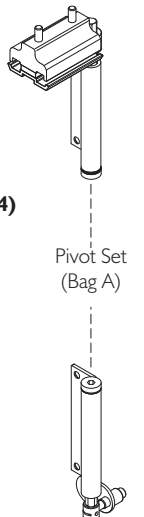
## Roomflex KIT 2 – Three door kit (RF50K2)



## Roomflex KIT 3 – Four door kit (RF50K3)



## Roomflex KIT 4 – Swing door kit (RFK4)



**HENDERSON**

P C Henderson Limited, Durham Road, Bowburn, County Durham DH6 5NG, UK. Web: [www.pchenderson.com](http://www.pchenderson.com)  
 UK Customer Services Department: Tel: +44 (0)191 377 7345 Fax: +44 (0)191 377 3116 Email: [sales@pchenderson.com](mailto:sales@pchenderson.com)  
 Export Department: Tel: +44 (0)191 377 7346 Fax: +44 (0)191 377 0755. Email: [international@pchenderson.com](mailto:international@pchenderson.com).  
 For all technical queries email our Technical Department: [technical@pchenderson.com](mailto:technical@pchenderson.com)