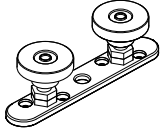
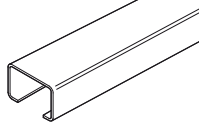


FITTING INSTRUCTIONS - NOTICE DE POSE - MONTAGE HANDLEIDING - MONTAGEANLEITUNG ISTRUZIONI DI MONTAGGIO - INSTUCCIONES DE MONTAJE

Instructions cover the installation of the following components



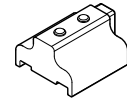
26 I SS/900 Top guide roller



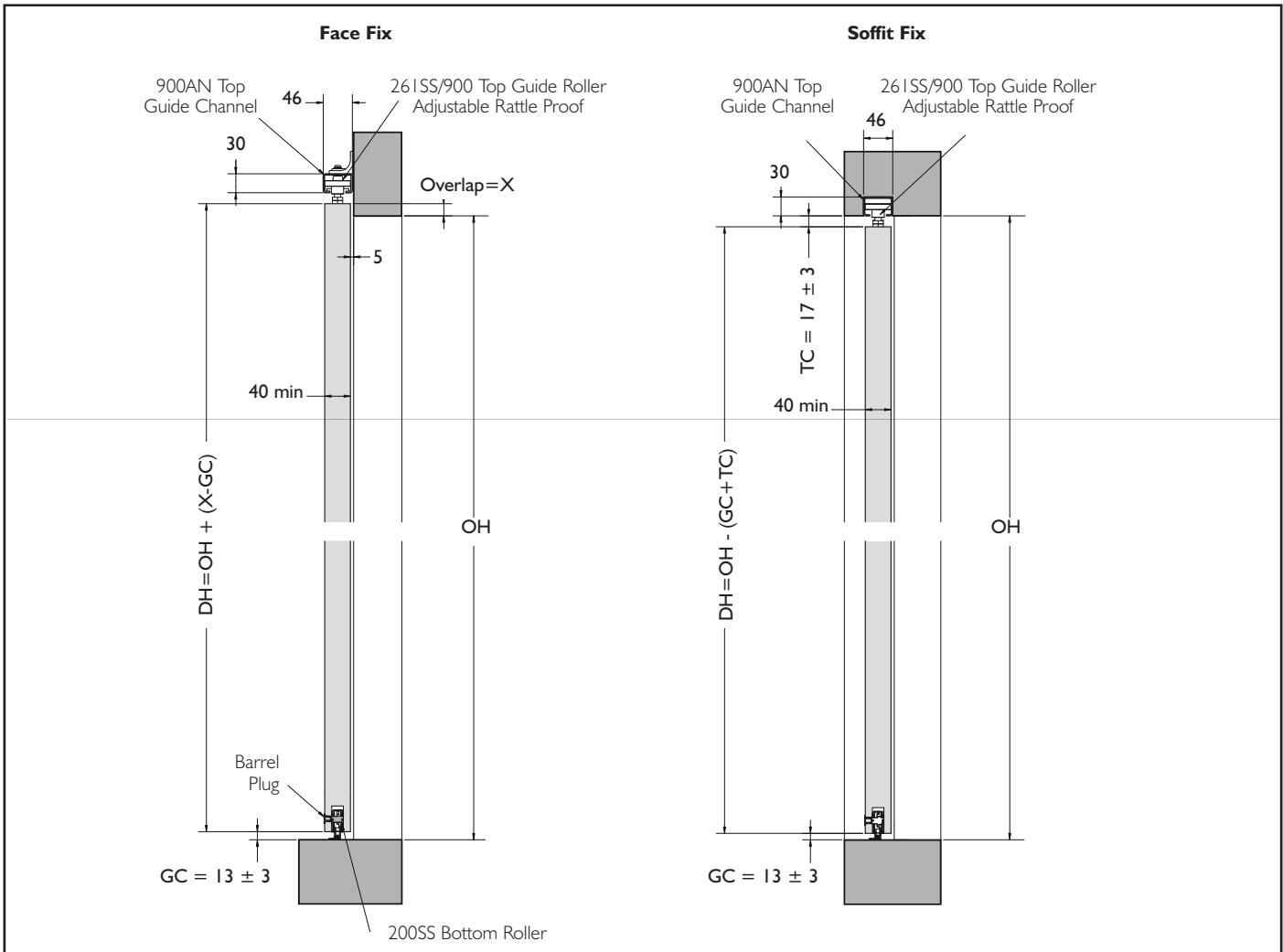
900AN Guide channel



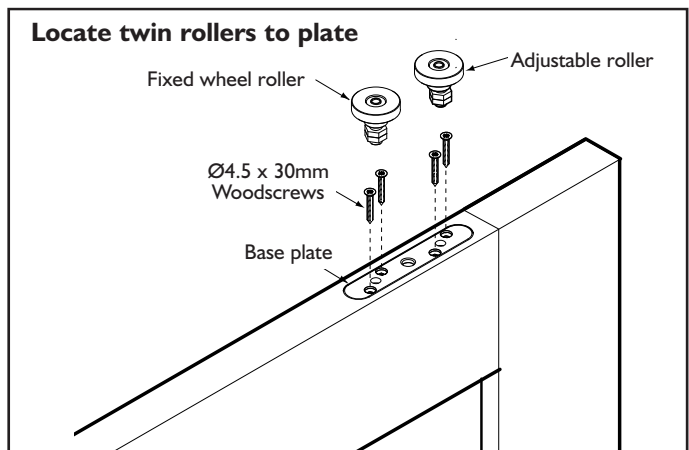
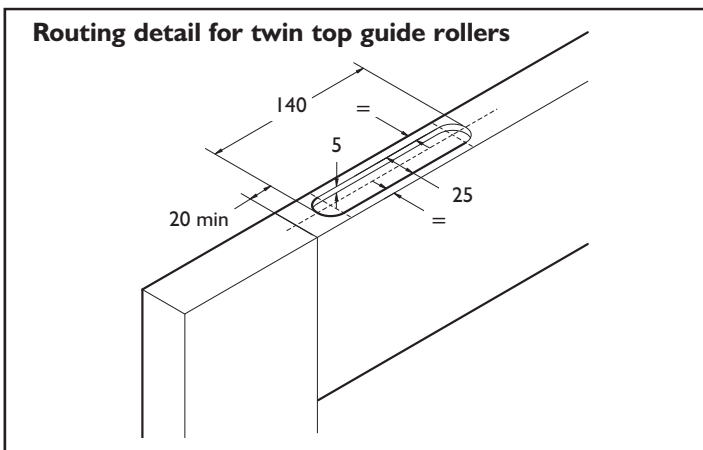
I/SS Face fix bracket



Track stop HH2/SS

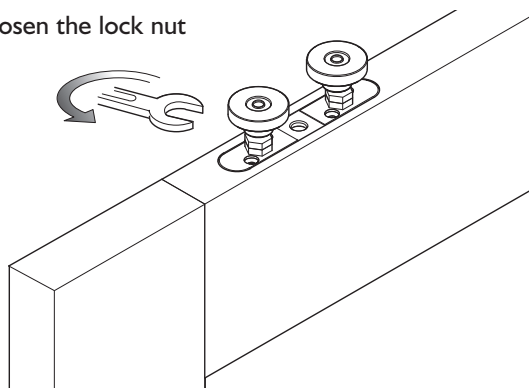


NOTE: Routing detail for all steps must be followed to the exact measurements provided. Failure to do so may effect the overall functionality and longevity of the product.

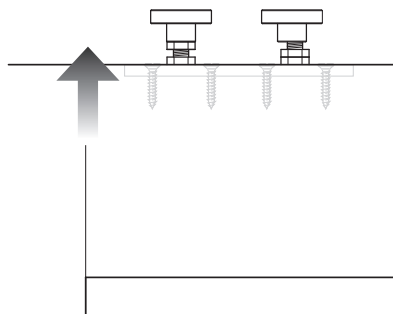


Twin top guide roller adjustment

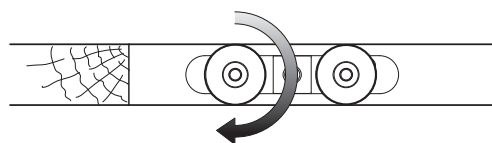
(a) Loosen the lock nut



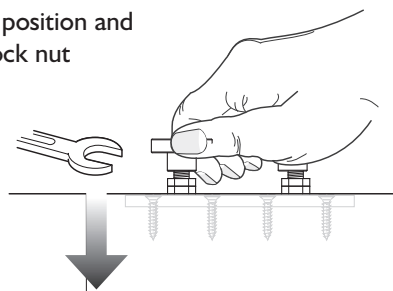
(b) Wind up lock nut



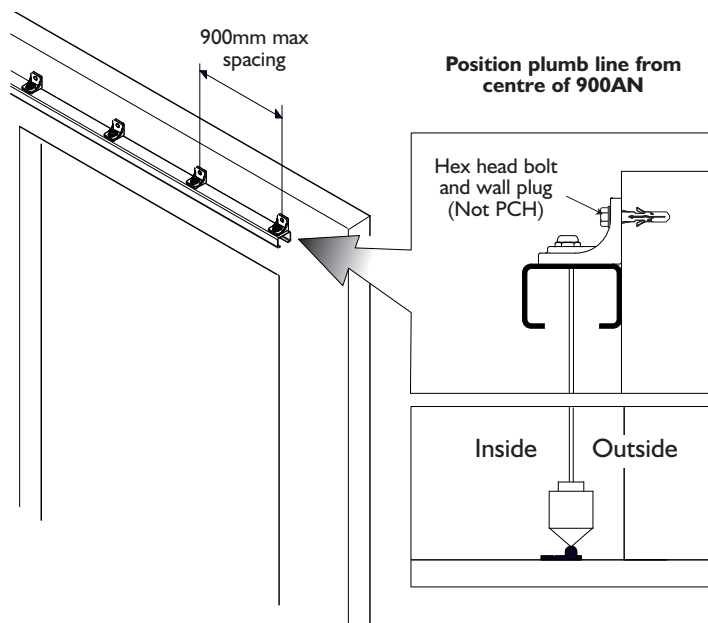
(c) Rotate adjustment pin to suit



(d) Hold in position and re-tighten lock nut



Top guide channel installation



Locate track mounted stop

