

FITTING INSTRUCTIONS

KIT AND DOOR SPECIFICATION

Kit Short Code	Max. Door Height	Max. Door Width	Door Thickness	kg
PDKPROH1	1981mm	610mm	35-45mm	120kg
PDKPROH2	1981mm	686mm	35-45mm	120kg
PDKPROH3	1981mm	762mm	35-45mm	120kg
PDKPROH4	1981mm	838mm	35-45mm	120kg
PDKPROH6	2040mm	826mm	35-45mm	120kg
PDKPROH7	2040mm	726mm	35-45mm	120kg
PDKPROH10	2315mm	930mm	35-45mm	120kg

KIT CONTENTS

Please Note: for bi-parting installations, 2 kits are required

Fixings Required: We recommend that suitable wall fixings & screws (with safe working load of at least 120kg are used.)

TOOLS REQUIRED

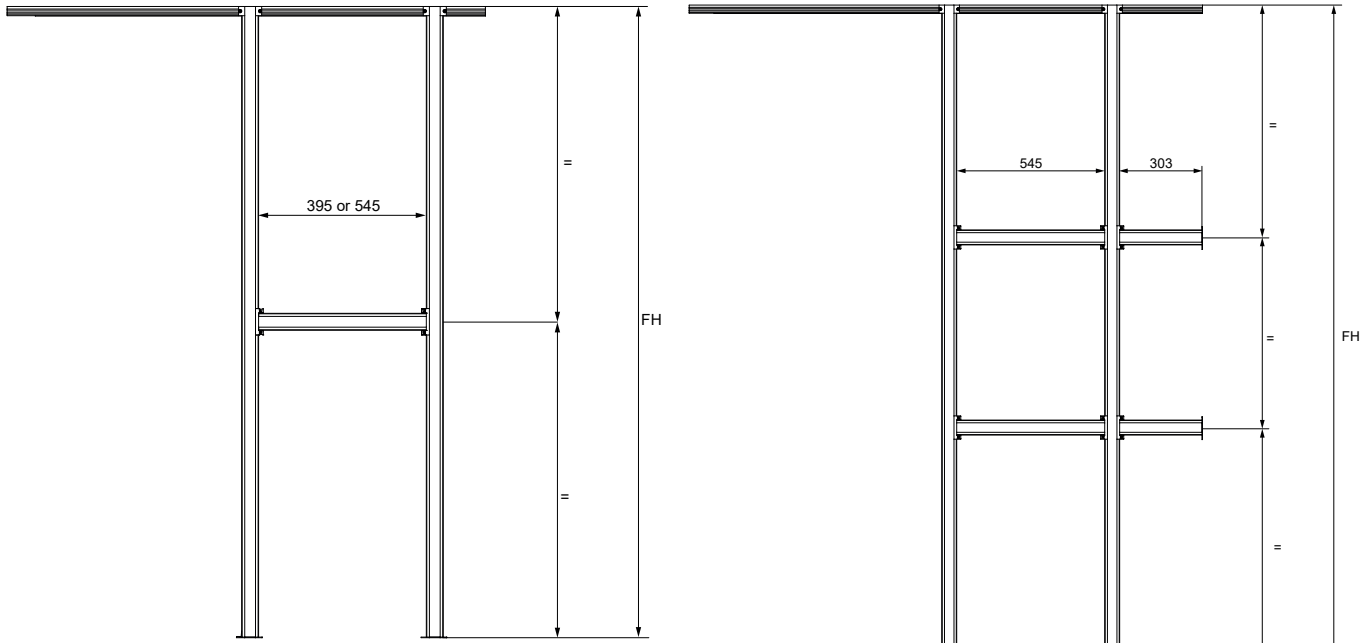
AVAILABLE ACCESSORIES - OPTIONAL

- Liner Kit
- Soft Close

POCKET DOOR PRO KIT CONFIGURATION

PDK PRO 1-7 ONLY

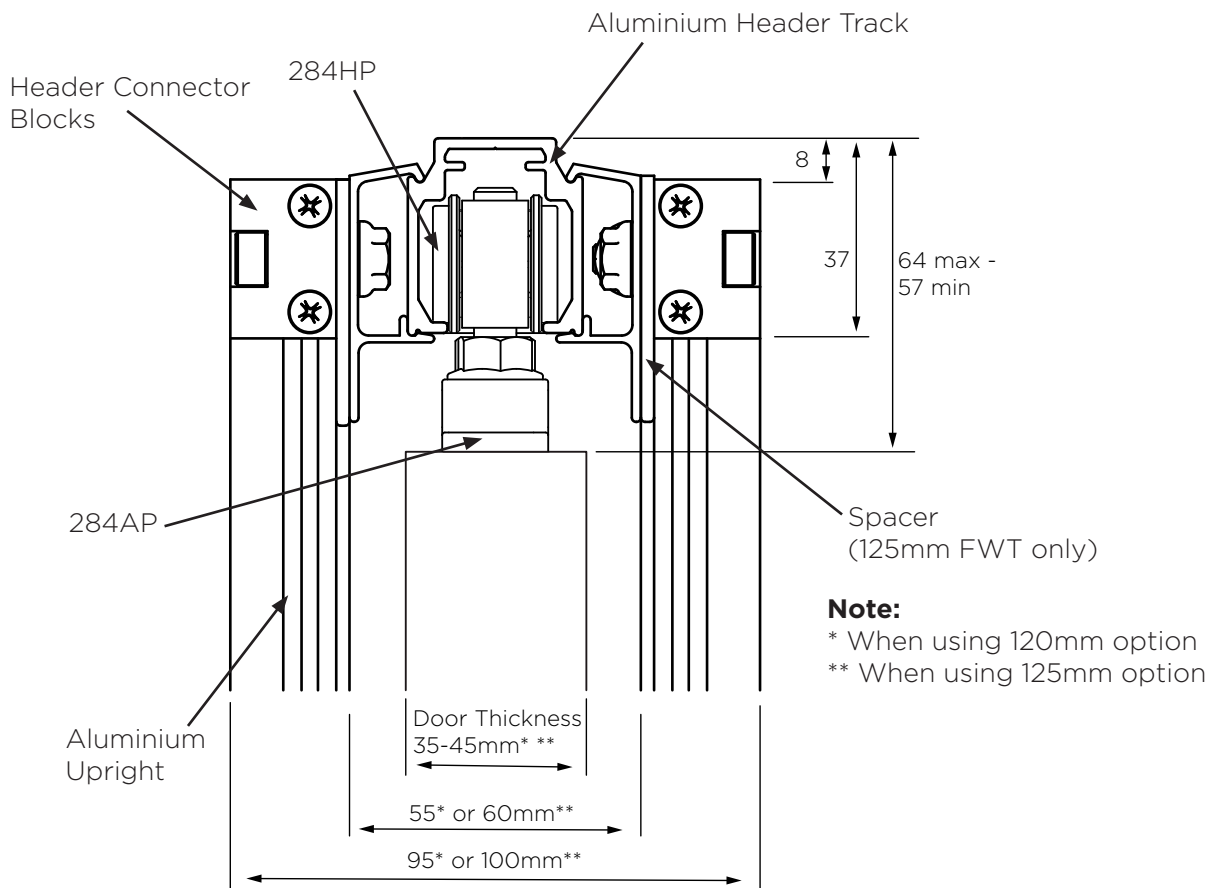
PDK PRO 10 ONLY



Key

DW = Door Width
FH = Frame Height

POCKET DOOR PRO HEADER DETAIL



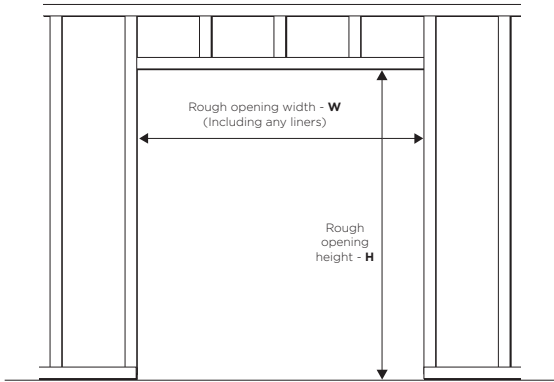
1

PREPARE ROUGH OPENING.

Single Doors

Opening width in mm = (door width x2) + 30mm

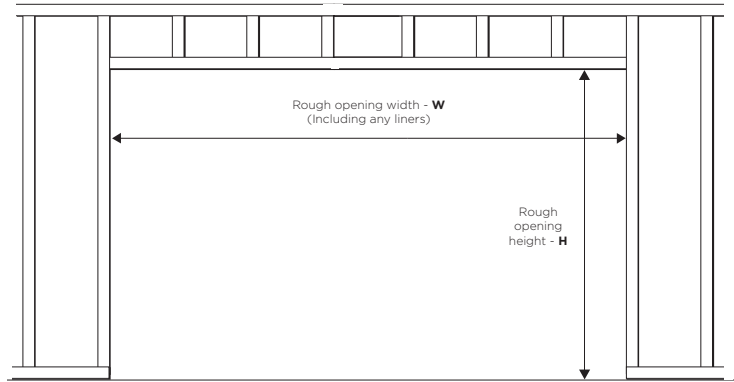
Opening height in mm = door height + 65mm



Bi-Parting Doors

Opening width in mm = (door width x4) + 60mm

Opening height in mm = door height + 65mm



Finished Wall Thickness = cavity wall width + 12.5mm plasterboard on both sides.

For Example:

95mm cavity + (12.5mm x2) = 120mm finished wall thickness

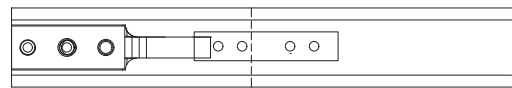
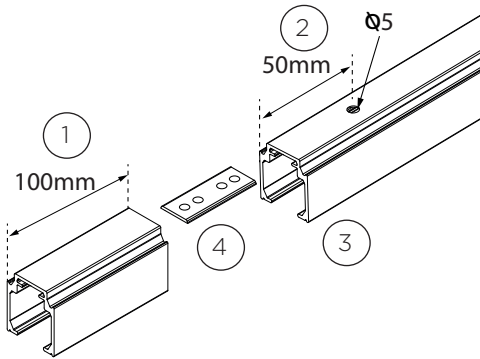
100mm cavity + (12.5mm x2) = 125mm finished wall thickness

Note: When installing a bi-parting kit, please repeat the installation on the opposite side, unless otherwise stated.

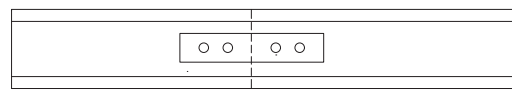
2

OPTIONAL: IF ACCESS IS REQUIRED POST CAVITY INSTALLATION, PCH RECOMMENDS CREATING A 100MM CUT-OUT BETWEEN THE END OF THE TRACK AND THE JAMB.

1. Cut 100mm from the end of the track at the opening side.
2. Drill a 5mm diameter hole, 50mm from the end of the remaining track.
3. Fix the remaining track in position, 100mm from end of jamb.
4. Insert the 100mm track cut-off next to the jamb, and fix in place both tracks using the extension piece.

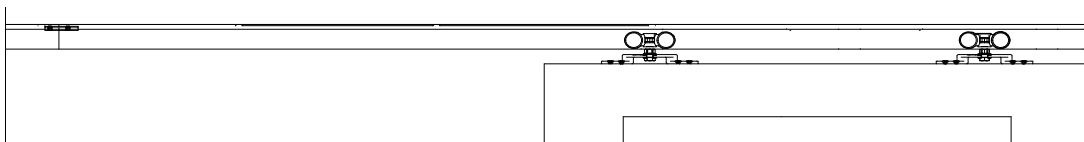


Bracket in-situ when using a clipstop.



Bracket in-situ when using a soft close.

Overview



3

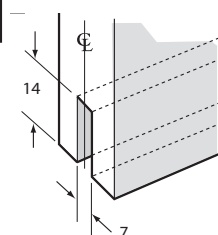
FIT APRON PLATES.



Note: If installing soft close, see separate instructions.

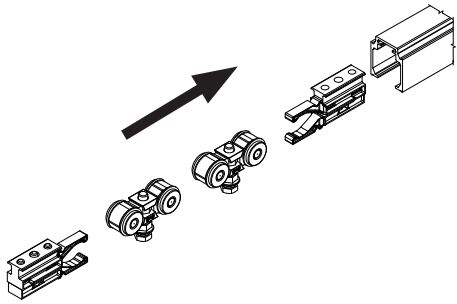
4

DOOR BASE.



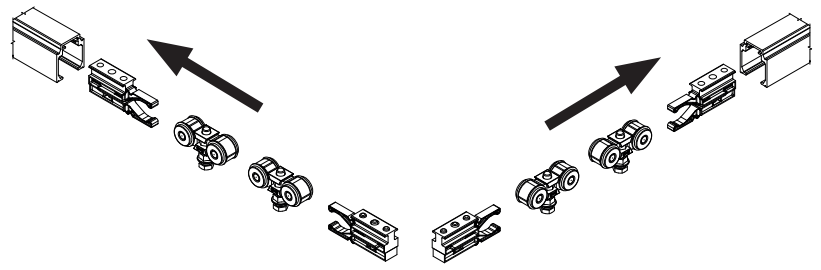
5 INSERT COMPONENTS INTO TRACK IN ORDER SHOWN (KIT DEPENDENT).

Single Doors (non soft-close)

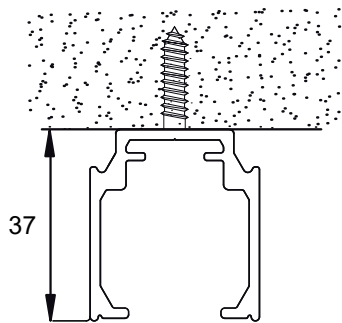


Bi-Parting Doors (non soft-close)

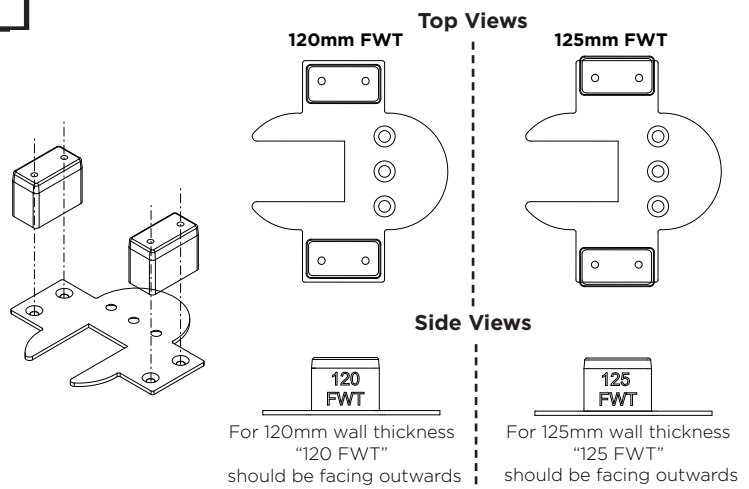
Left Hand Track Right Hand Track



6 USING SUITABLE FIXINGS (NOT BY PCH), CENTRE AND SOFFIT FIX TRACK.



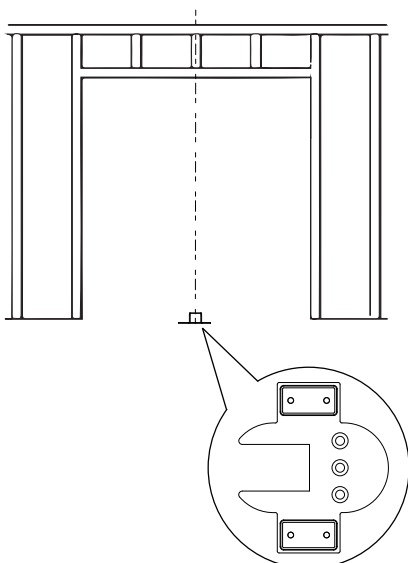
7 ASSEMBLE FLOOR GUIDE BASE PLATE.



8 POSITION FLOOR BRACKET AS DETAILED FOR YOUR CHOSEN KIT AND MARK LOCATION.

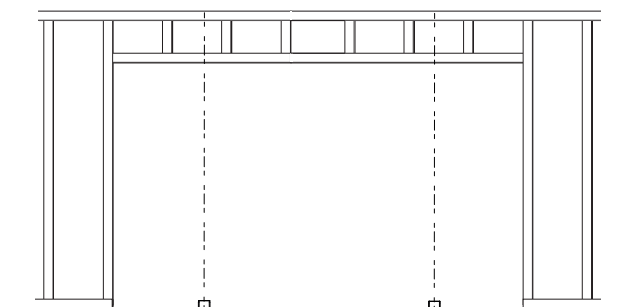
Single Doors

Position floor bracket in line with the mid-point of the structural opening and the centre of the header track.

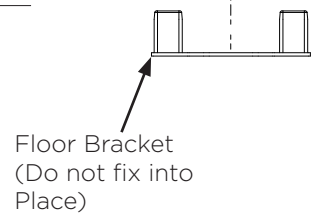
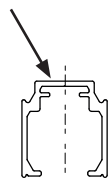


Bi-Parting Doors

Position floor bracket in line with the quarter-points of the structural opening and the centre of the header track.



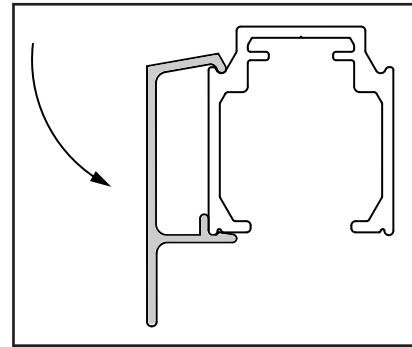
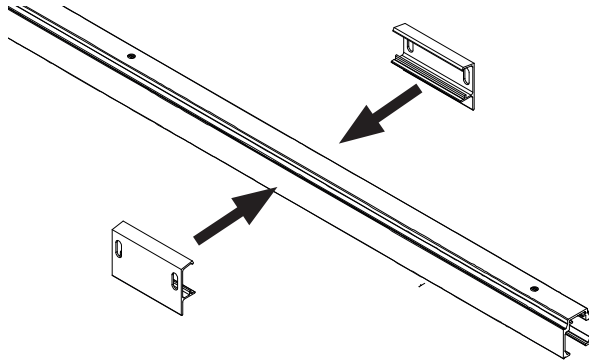
Header Track



Note: Ensure floor bracket is facing towards structural opening side. **Not** the pocket side.

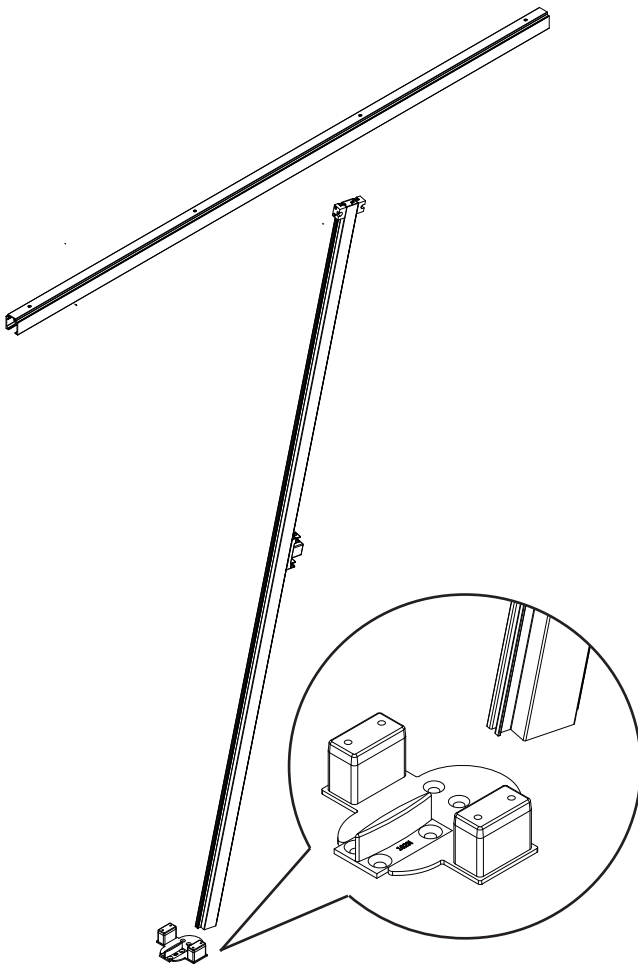
9

CLIP ON FIXING PLATES TO SIDE OF TRACK.



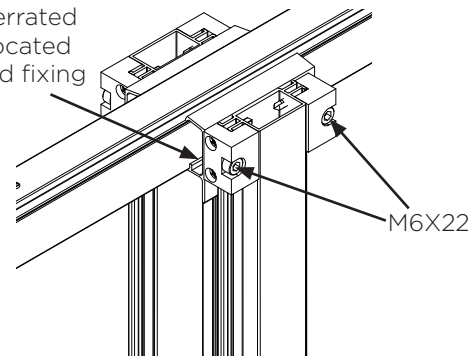
10

LOCATE ASSEMBLED UPRIGHT ON TO FLOOR BRACKET AND MOVE INTO POSITION. AFFIX UPRIGHTS TO HEADER TRACK USING FIXING PLATES AND M6 NUT.



**120mm
Finished Wall Thickness**

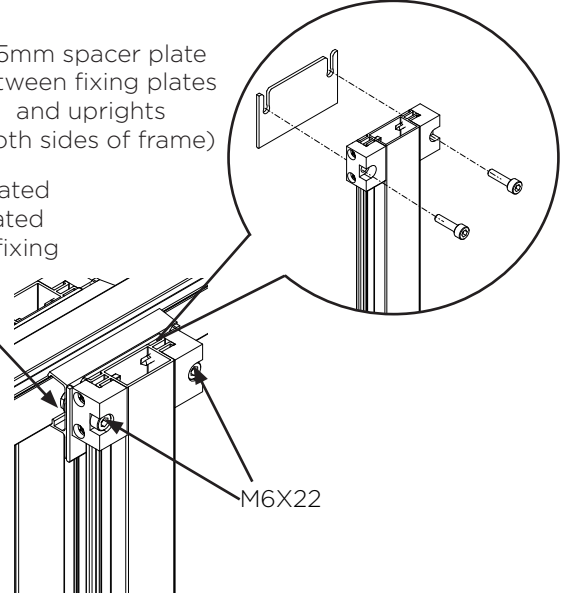
M6 Serrated
Nut located
behind fixing
plate



**125mm
Finished Wall Thickness**

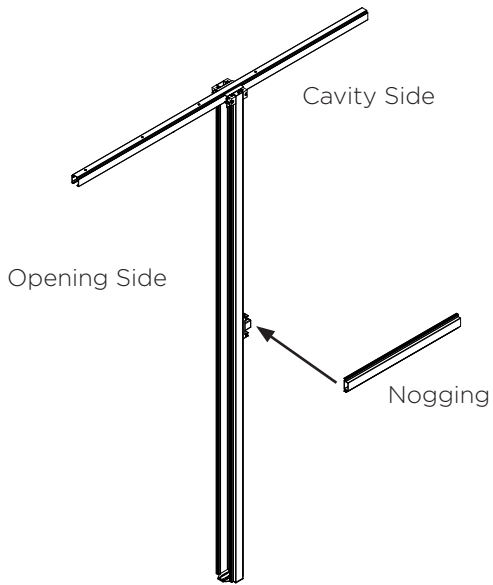
2.5mm spacer plate
between fixing plates
and uprights
(both sides of frame)

M6 Serrated
Nut located
behind fixing
plate



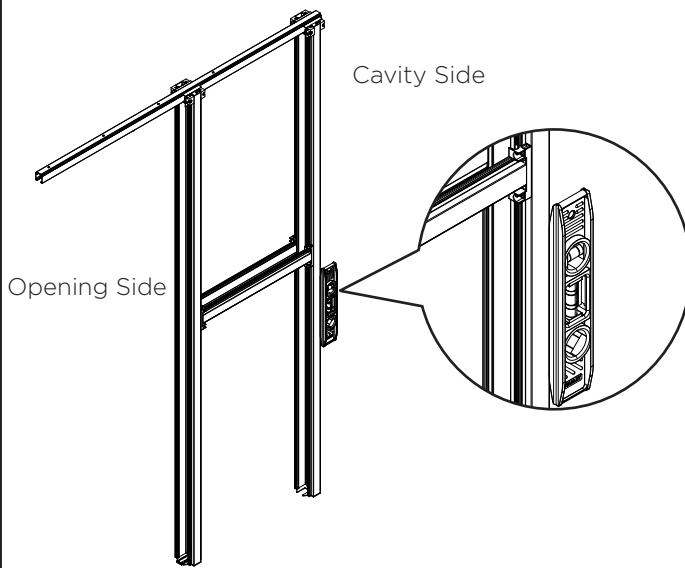
11

POSITION NOGGINGS ONTO PRE-ASSEMBLED PLASTIC SPACERS.



12

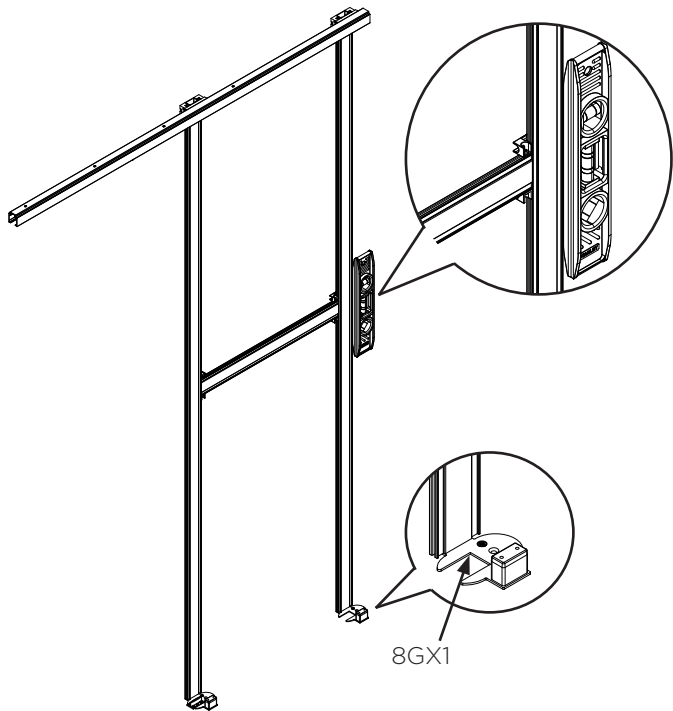
PLACE SECOND UPRIGHT ONTO NOGGING TO SET WIDTH. HOLD IN PLACE WITH PRE-ASSEMBLED NOGGING BLOCKS.



13

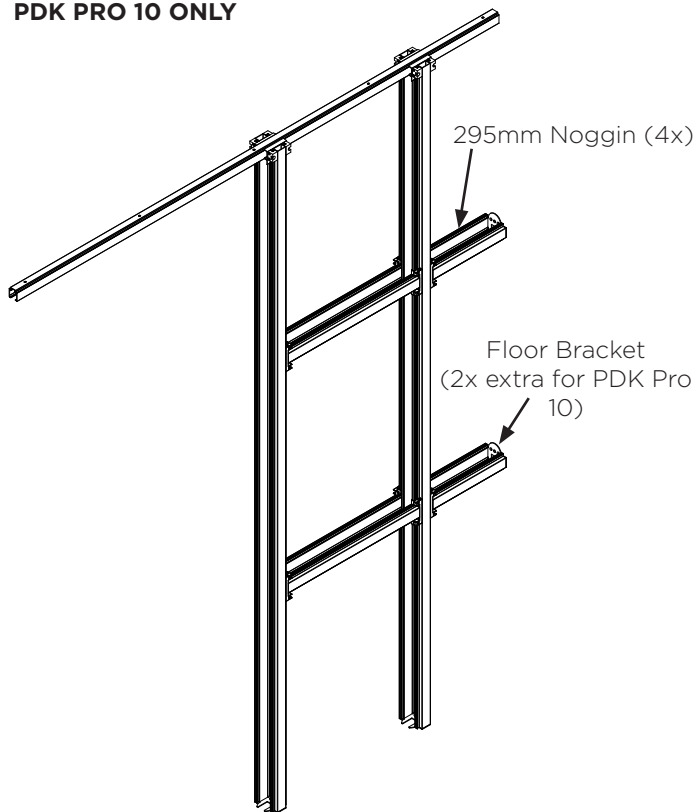
FIX BOTH SETS OF FLOOR BRACKETS TO THE FLOOR.

PDK PRO 1-7 ONLY



Note: Uprights removed for clarity

PDK PRO 10 ONLY

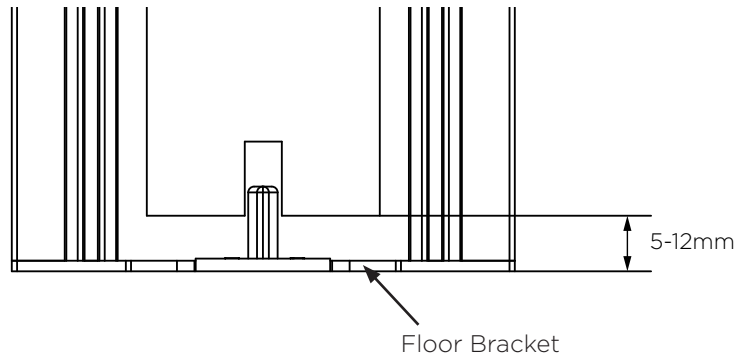


PDK PRO 10 CONFIGURATION:

295mm noggings are used to bridge the double upright assemblies and secure them to the end of the cavity (rough opening), using the floor brackets provided.

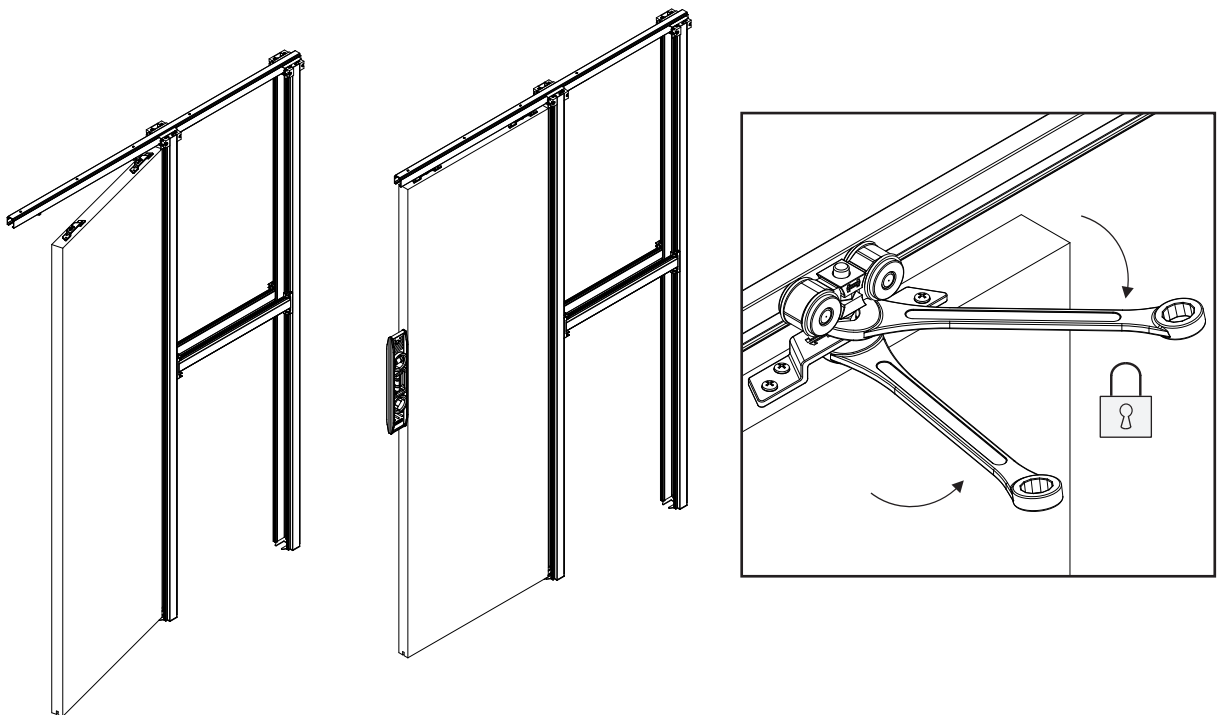
14

PLACE 102N GUIDE INTO GAP IN FIRST FLOOR BRACKET. FIX IN POSITION.



15

HANG THE DOOR - ATTACH DOOR TO HANGERS AND SECURE LOCK NUT.



16

OPTIONAL: IF USING LINER KIT SUPPLIED BY PC HENDERSON, REFER TO SEPARATE FITTING INSTRUCTIONS.

P C HENDERSON LTD

Durham Road, Bowburn,
Co. Durham,
DH6 5NG

UK SALES

+44 (0) 191 377 7345
sales@pchenderson.com
www.pchenderson.com

IRELAND SALES

+353 (0)1 643 6816
sales@pchenderson.ie
www.pchenderson.com

INTERNATIONAL SALES

+44 (0) 191 377 7346
international@pchenderson.com
export.pchenderson.com

370816

REV 3

Jun-23