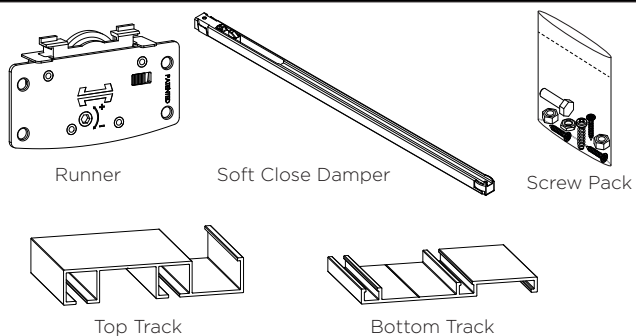


## FITTING INSTRUCTIONS

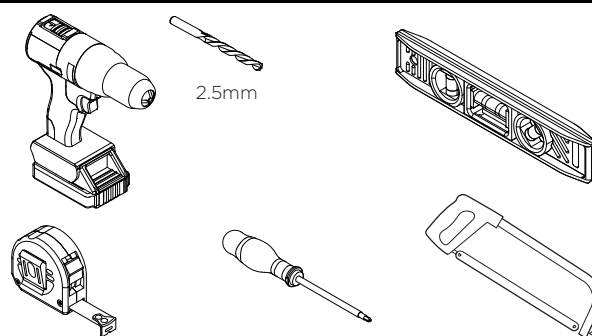
### KIT AND DOOR SPECIFICATION

Kit Short Code	Description	kg	Runner	Soft Close Damper	16mm Screw	2mm Hex Key	4mm Hex Key	Top Track	Bottom Track
SL18	2 Door 1800mm Kit	<50kg	8	4	32	1	1	1	1
SL24	3 Door 2400mm Kit	<50kg	12	4	48	1	1	1	1
SL01	Additional Door Kit	<50kg	4	0	16	0	0	0	0

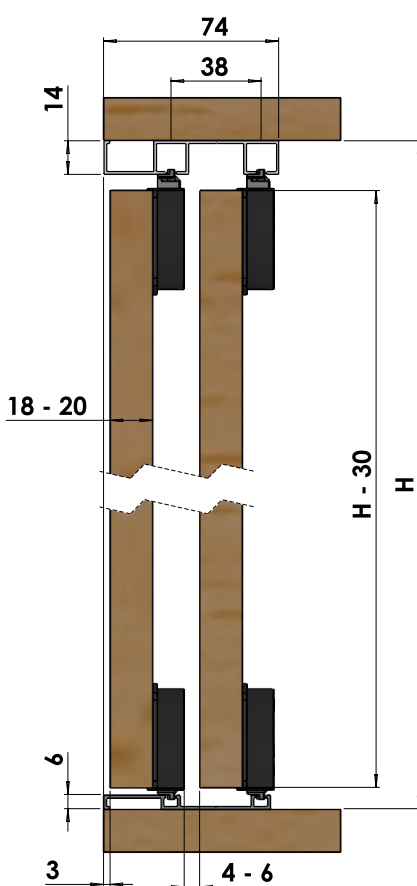
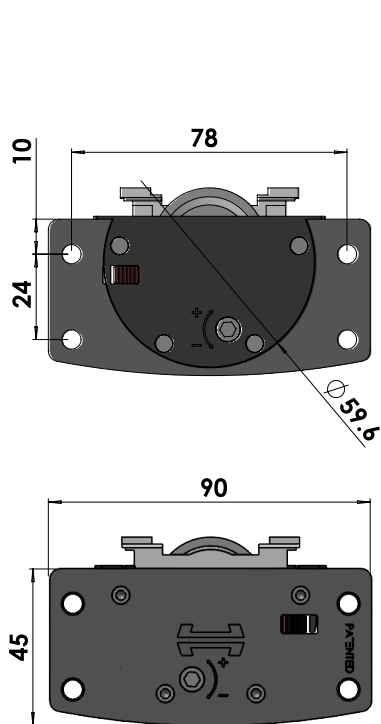
### KIT CONTENTS



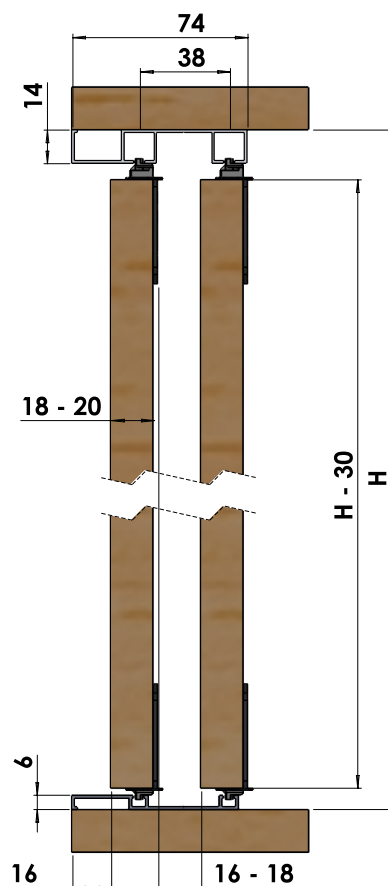
### TOOLS REQUIRED



### OVERVIEW



EXPOSED INSTALLATION

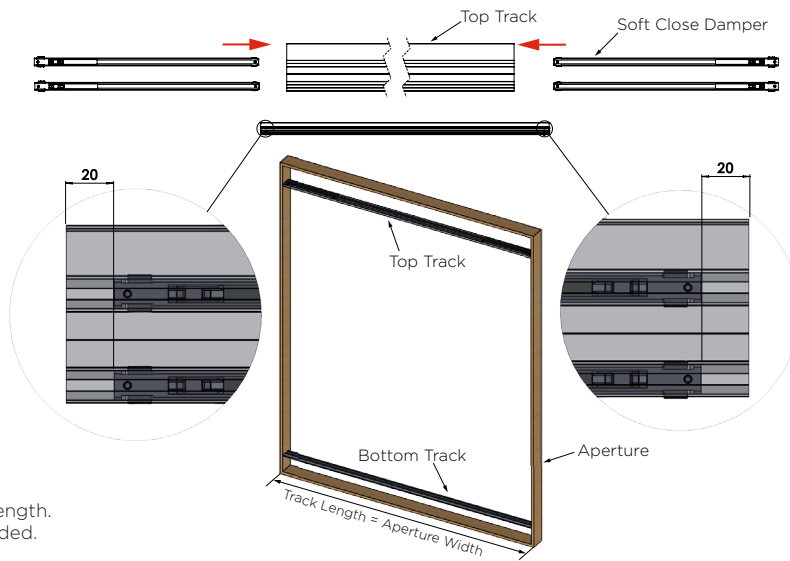


CONCEALED INSTALLATION

## SOFT CLOSE DAMPER AND TRACK INSTALLATION

1

INSERT SOFT CLOSE INTO TRACK BEFORE INSTALLING.  
DRILL AND FIX TOP AND BOTTOM TRACKS IN PLACE.



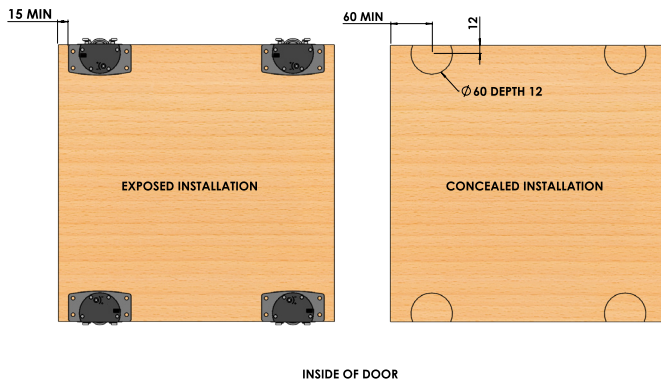
**Please Note:**

Tracks can be cut to length.  
Track fixings not included.

## SOFT CLOSE DAMPER AND TRACK INSTALLATION

2

FIX RUNNERS INTO POSITION  
USING SCREWS PROVIDED.



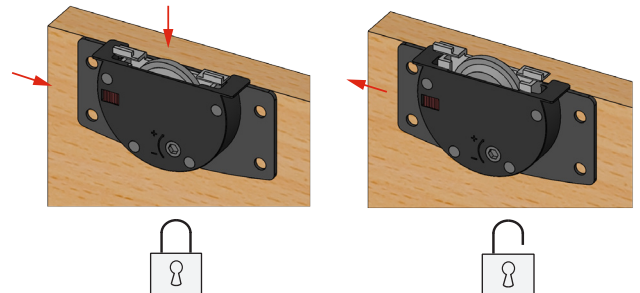
3

Before Installing Door

Lock Wheel

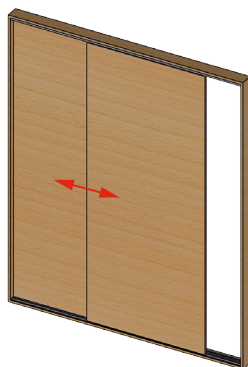
After Installing Door

Unlock Wheel



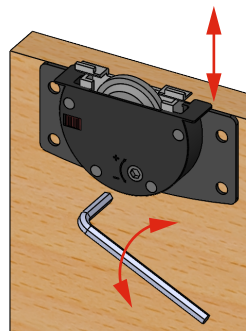
4

PUSH DOORS CLOSED AT  
BOTH ENDS TO POSITION  
THE SOFT CLOSE DAMPER.



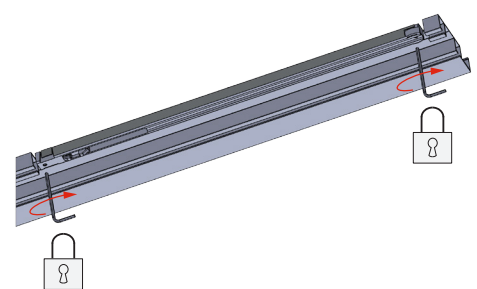
5

ADJUST DOOR  
GAP USING 4MM  
HEX HEAD.



6

LOCK SOFT CLOSE  
DAMPER IN PLACE  
USING 2MM HEX HEAD.



**P C HENDERSON LTD**

Durham Road, Bowbourn,  
Co. Durham,  
DH6 5NG

**UK SALES**

t: +44 (0) 191 377 7345  
e: sales@pchenderson.com  
w: www.pchenderson.com

**IRELAND SALES**

t: +353 (0)1 643 6816  
e: sales@pchenderson.ie  
w: www.pchenderson.com

**INTERNATIONAL SALES**

t: +44 (0) 191 377 7346  
e: international@pchenderson.com  
w: export.pchenderson.com

780103

REV 03

Feb-24