

# RUSTIC TOP MOUNT

Fitting Instructions

# HENDERSON

## KIT AND DOOR SPECIFICATION

Standard Kit	Single Soft Close	Dual Soft Close	Finish	Track Length	Door Width Range	Door Thickness Range	Max Door Weight
RTM/20	RTMSOFT/20	RTMSOFTD/20	Matt Black	2000mm	500 - 1000mm	35 - 50mm	100kg*
RTM/30	RTMSOFT/30	RTMSOFTD/30	Matt Black	3000mm	500 - 1500mm	35 - 50mm	100kg*
RTMSS/20	RTMSSSOFT/20	RTMSSSOFTD/20	Stainless Steel	2000mm	500 - 1000mm	35 - 50mm	100kg*
RTMSS/30	RTMSSSOFT/30	RTMSSSOFTD/30	Stainless Steel	3000mm	500 - 1500mm	35 - 50mm	100kg*

\* Maximum door weight is 80kg when used with a soft close

## KIT CONTENTS

**M8 x 85**  
2m kit (x 5)  
3m kit (x 7)

**Track Wall Spacers**  
2m kit (x 5)  
3m kit (x 7)

**Flush Pulls**  
2m kit (x 2)  
3m kit (x 2)

**ST6 x 40**  
2m kit (x 4)  
3m kit (x 4)

**ST4.2 x 25**  
2m kit (x 2)  
3m kit (x 2)

**M8 x 60**  
2m kit (x 5)  
3m kit (x 7)

**Track**  
2m kit (x 1)  
3m kit (x 1)

**Top Mounted Hangers**  
2m kit (x 2)  
3m kit (x 2)

**Wall Plug**  
2m kit (x 2)  
3m kit (x 2)

**M8 x 25**  
2m kit (x 5)  
3m kit (x 7)

**M8 x 25**  
2m kit (x 5)  
3m kit (x 7)

**Track Stop**  
2m kit (x 2)  
3m kit (x 2)

**Anti-Jump Cams**  
2m kit (x 2)  
3m kit (x 2)

**Guide**  
2m kit (x 1)  
3m kit (x 1)

\* Alternative track fixings provided depending on wall type

## TOOLS REQUIRED

**Screwdriver**

**Pencil**

**Tape Measure**

**Spanner**

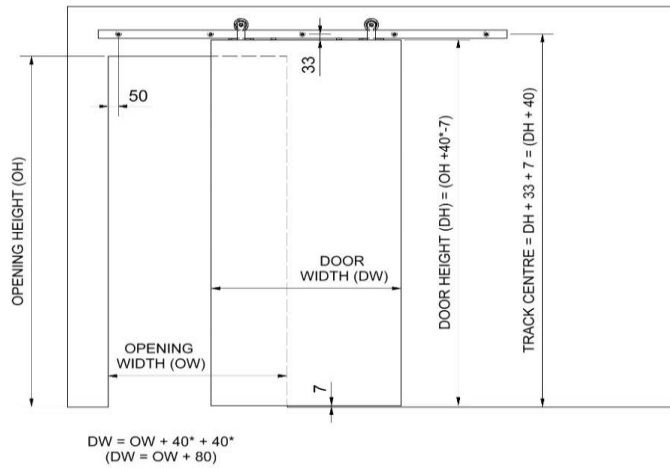
**Spirit Level**

**Drill**

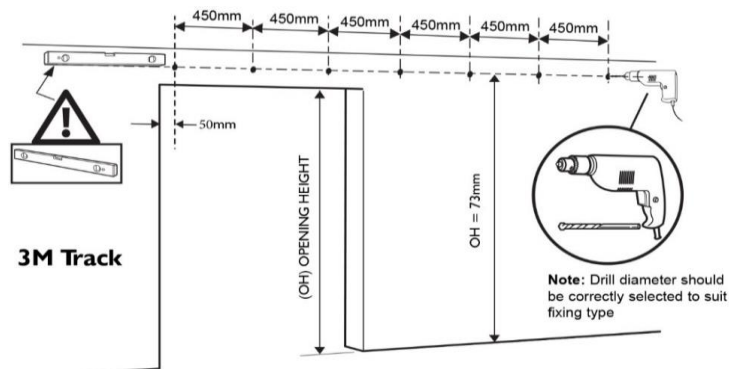
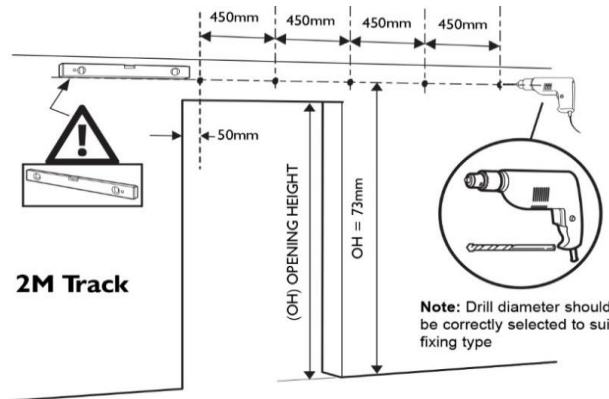
**Drill Bits**

## STEP BY STEP FITTING INSTRUCTIONS

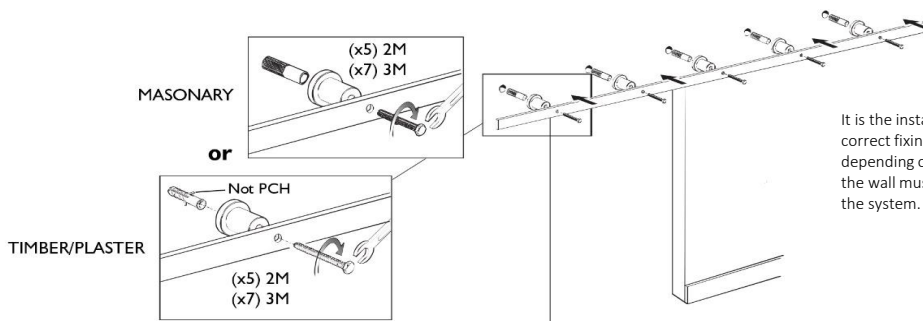
### STEP 1: Mark and drill fixing holes.



\*PCH suggests 40mm overlap of the door to the opening.

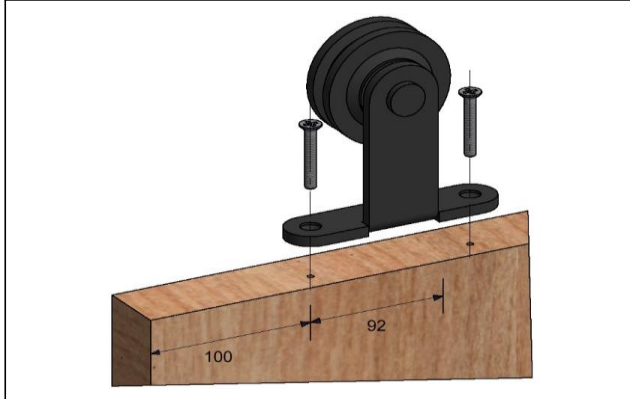


### STEP 2: Fix M8 screw inserts, spacers and track to wall.

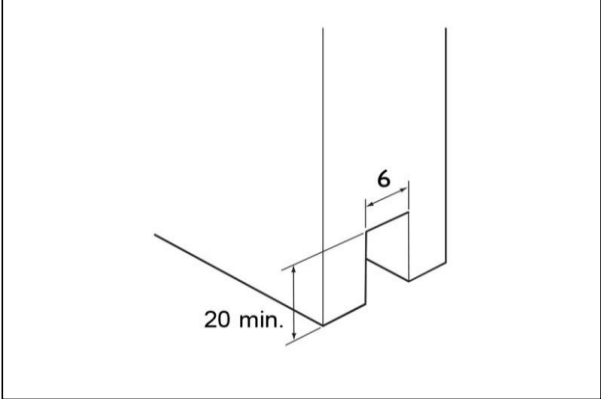


It is the installers responsibility to ensure the correct fixing/wall insert is suitable to be used, depending on wall type/quality. The structure of the wall must also be able to take the weight of the system.

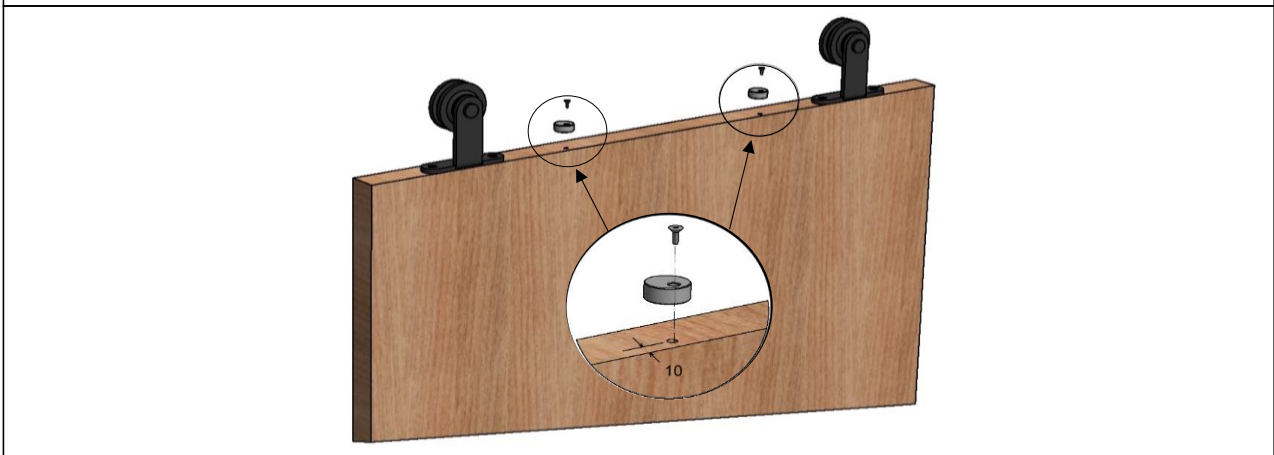
**STEP 3:** Fix hangers to door, aligning front of hanger to front of door (see diagram in step 6).



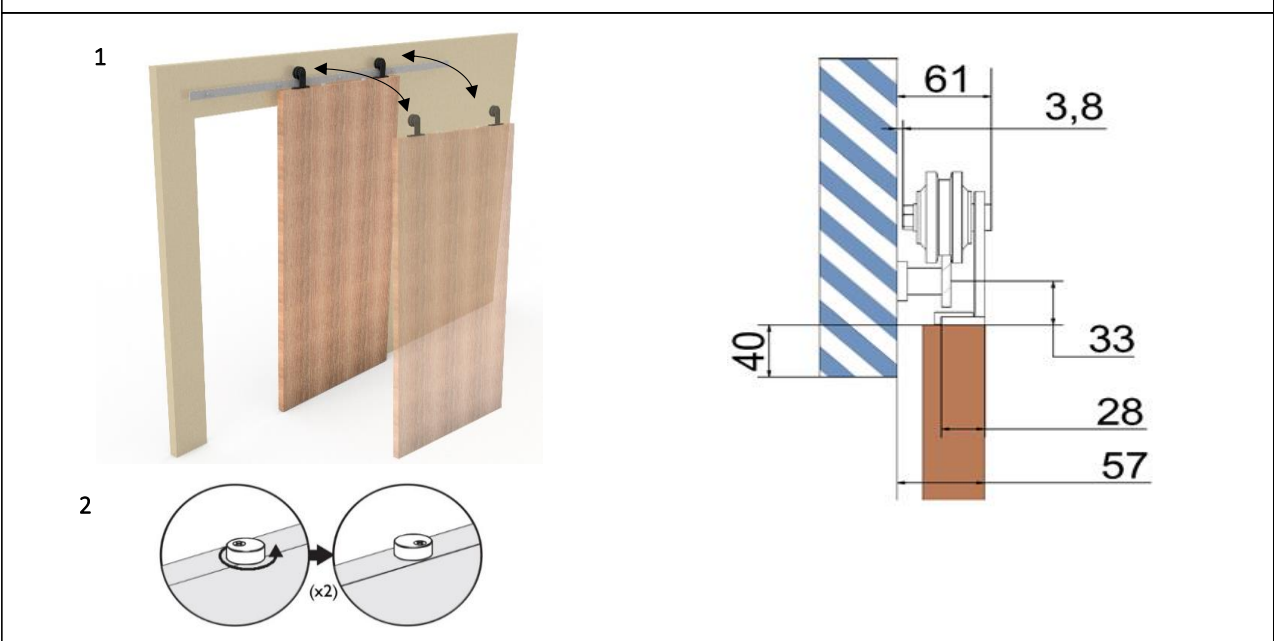
**STEP 4:** Floor guide routing detail.



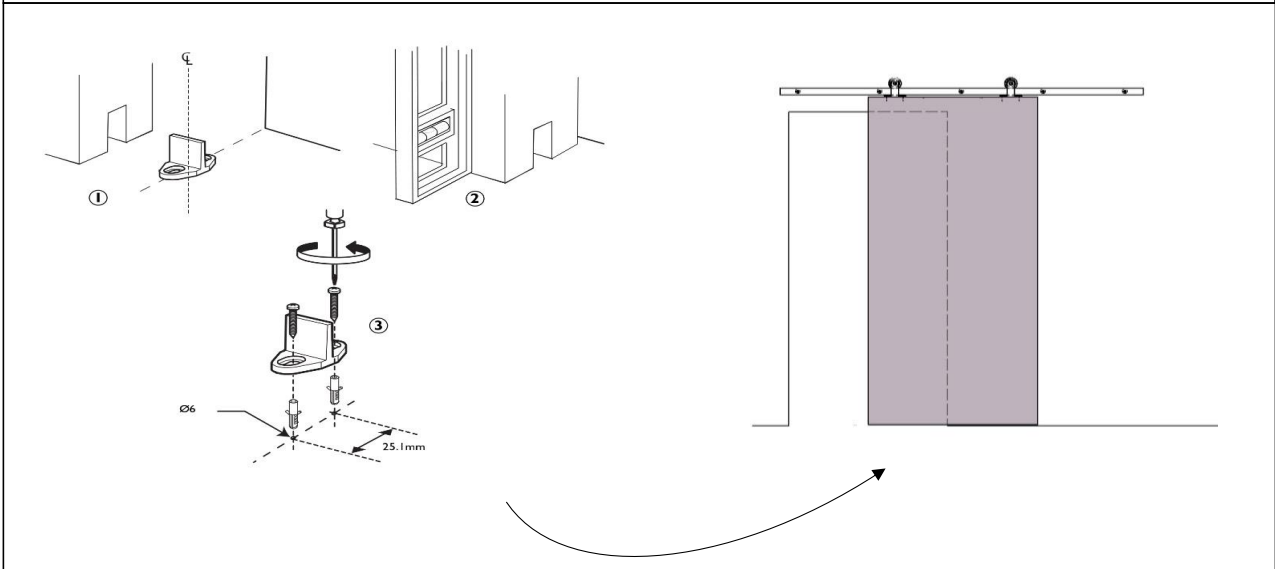
**STEP 5:** Fit anti-jump cams.



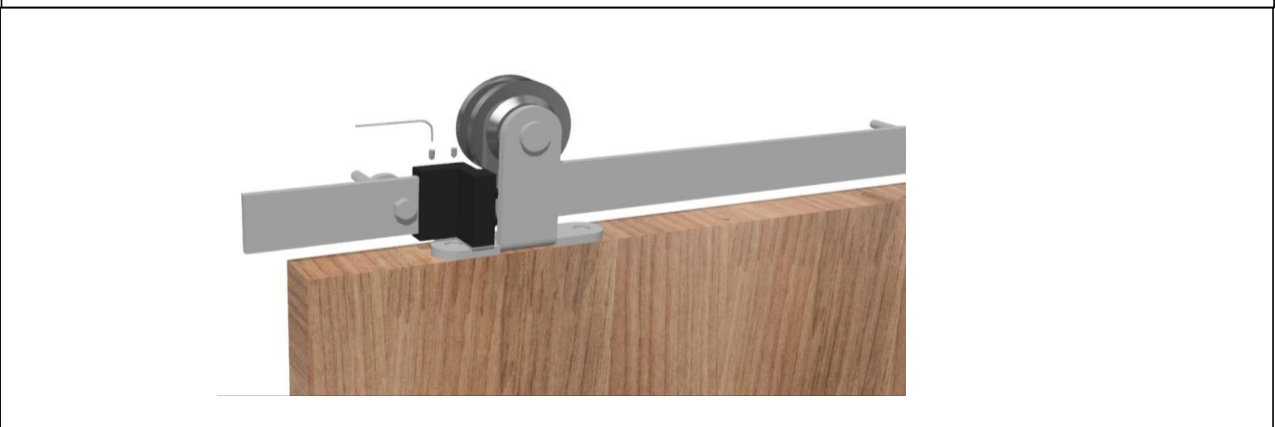
**STEP 6:** Hang door and adjust anti-jump cams.



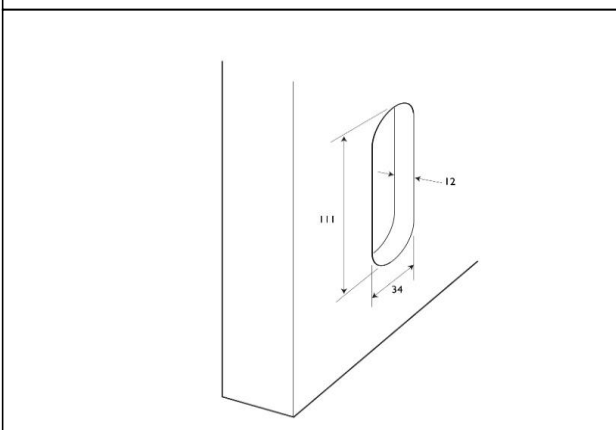
### STEP 7: Fit floor guide.



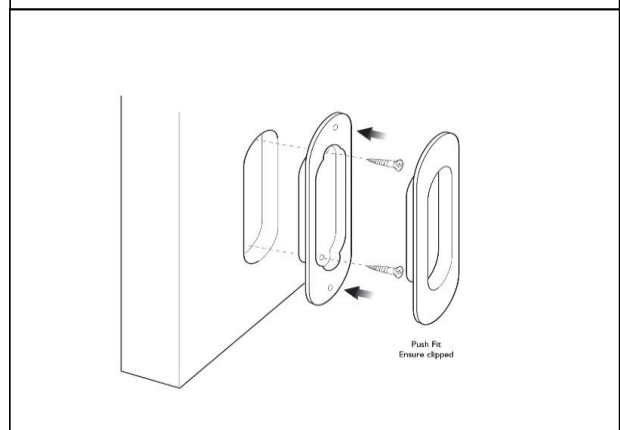
### STEP 8: Fit and adjust door stops.



### STEP 9: Flush pull routing detail.



### STEP 10: Fit flush pull handle.



P C Henderson Ltd, Durham Road, Bowburn, Co. Durham, DH6 5NG, UK

#### UK Sales

t: +44 (0) 191 377 7345

e: [sales@pchenderson.com](mailto:sales@pchenderson.com)

w: [www.pchenderson.com](http://www.pchenderson.com)

#### Export Sales

t: +44 (0) 191 377 7346

e: [international@pchenderson.com](mailto:international@pchenderson.com)

w: [export.pchenderson.com](http://export.pchenderson.com)