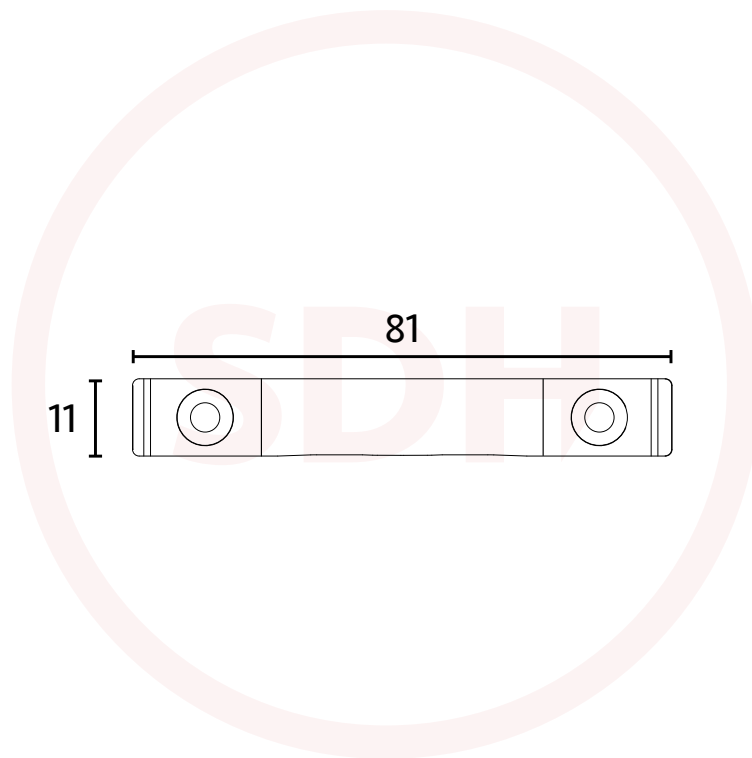


# SSF21 SDH Modern Cam Lock Keep



SASH + DOOR  
HARDWARE