

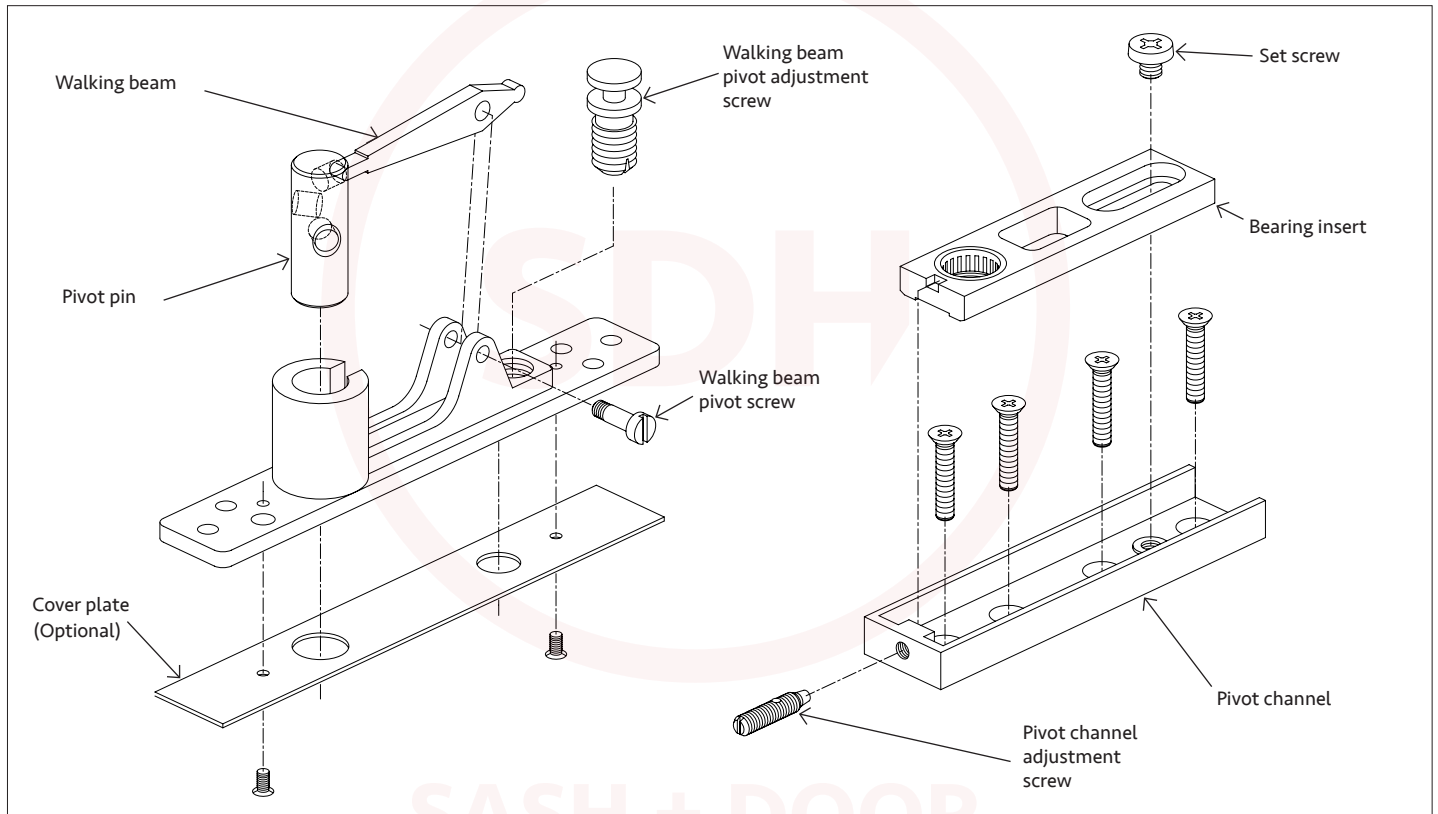
URBAN-KIT Dormakaba Urban Pivot Door Hinge



Center Hung Top Pivot

1.1 Install pivot

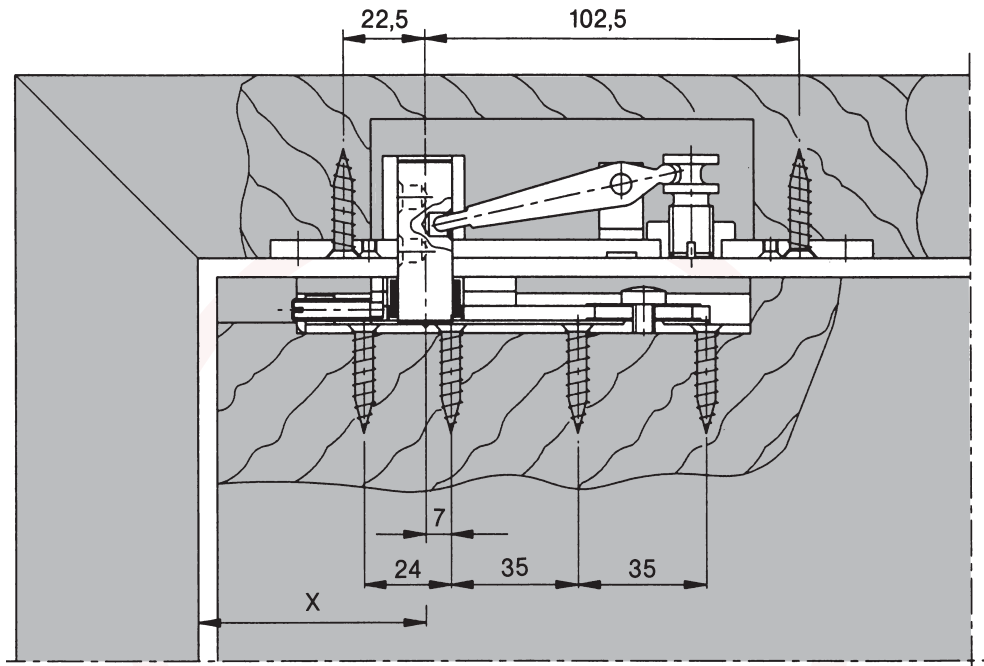
Fig. 1



- 1.1.1 Determine the clearance between the door and header and adjust the projection of the pivot pin, if required.
 - The pivot pin projection allows 1/8" [3] clearance as shipped from the factory.
- 1.1.2 To change the projection of pivot pin or to install the (8062 Ext Pin) extended pivot pin, the following procedure is recommended:
 - 1.1.3 Remove the walking beam pivot screw.
 - 1.1.4 Push the pivot pin out until the walking beam is disengaged.
 - 1.1.5 Install extended pivot pin and engage walking beam into appropriate hole in pivot pin to obtain required projection.
 - 1.1.6 Be sure opposite end of walking beam is engaged in walking beam pivot adjustment screw.
 - 1.1.7 Reinstall walking beam pivot screw.
 - 1.1.8 Retract pivot pin and install pivot into header.
 - 1.1.9 Install cover plate.
 - 1.1.10 Fasten pivot channel in top of door.
 - 1.1.11 Turn pivot channel adjustment screw approximately halfway into pivot channel.
 - 1.1.12 Place bearing insert into pivot channel.
 - 1.1.13 Adjust pivot point accordingly.
 - 1.1.14 Lock bearing insert in place with set screw.
 - 1.1.15 Install door and engage pivot pin by turning walking beam pivot adjustment screw clockwise.

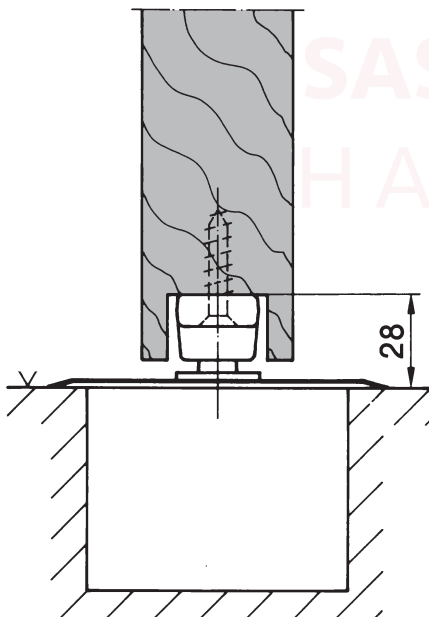
Installation Instructions

Top Hinge - For Timber Doors



X Min: 51mm

Bottom Strap - For Timber Doors



Bottom Floor Pivot - For Timber Doors

